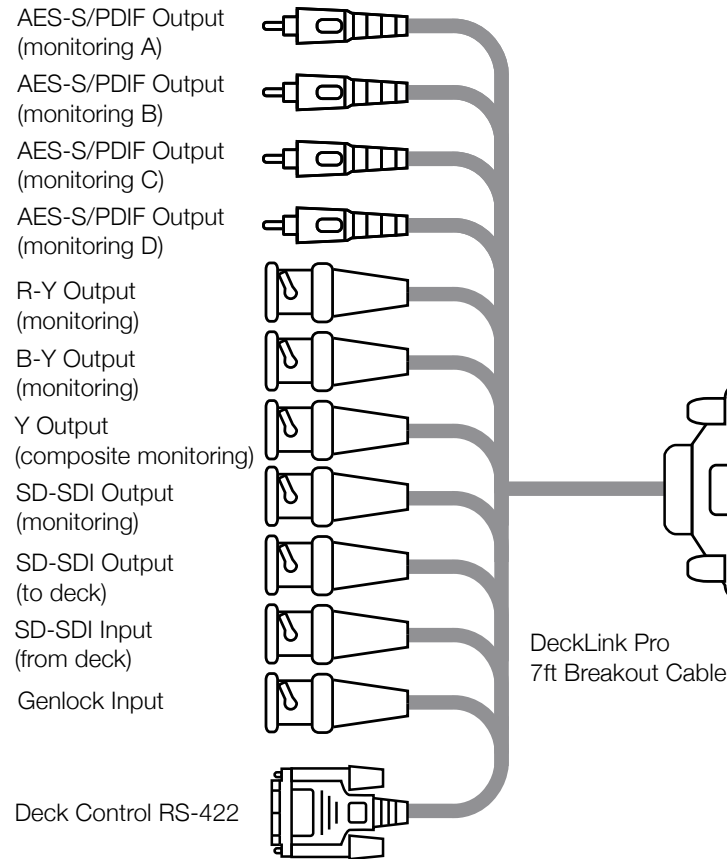
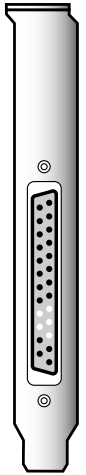




# Connection Diagrams

## DeckLink Pro™

SD-SDI 4:2:2 video and audio capture and playback card with analog monitoring



When you don't have genlock, you can output stable black so DeckLink Pro locks the deck. This output is always stable and allows the deck to be set to input reference or auto reference. Be sure to set the "Black Video Output to Deck in Capture" option to "On Digital SDI Outputs" in the DeckLink control panel, when using this feature.