

Service /Troubleshooting:

There are no servicable parts inside. Please use the following troubleshooting tip in case of malfunction.

Problem:	Remedy:
No light output	Is the on/off switch set to "on"? Is the connection to power source ok and the cable undamaged? Is an appropriate power source used? Is the battery in good condition and sufficiently charged? Is the bulb ok and inserted correctly?

Technical specifications:

Construction	According to EN 60 598-2-17
Portective class	III protective low voltage
Current	direct current
Light output (1m Distance)	With 75 W bulb 1980 Lux spot /550 Lux flood
Mechanical focussing range	1 : 2
Permissible ambient temperature	- 20°C (- 4°F) to 40°C (104°F)
Max. housing temperature	with 75 W 100°C (212°F)
Socket	GY 6.35, LCL 30 mm, Max. 11,5 mm
Weight	275 g (9.6oz)
Mounting	Integrated camera mount

Warranty:

Warranty expires if

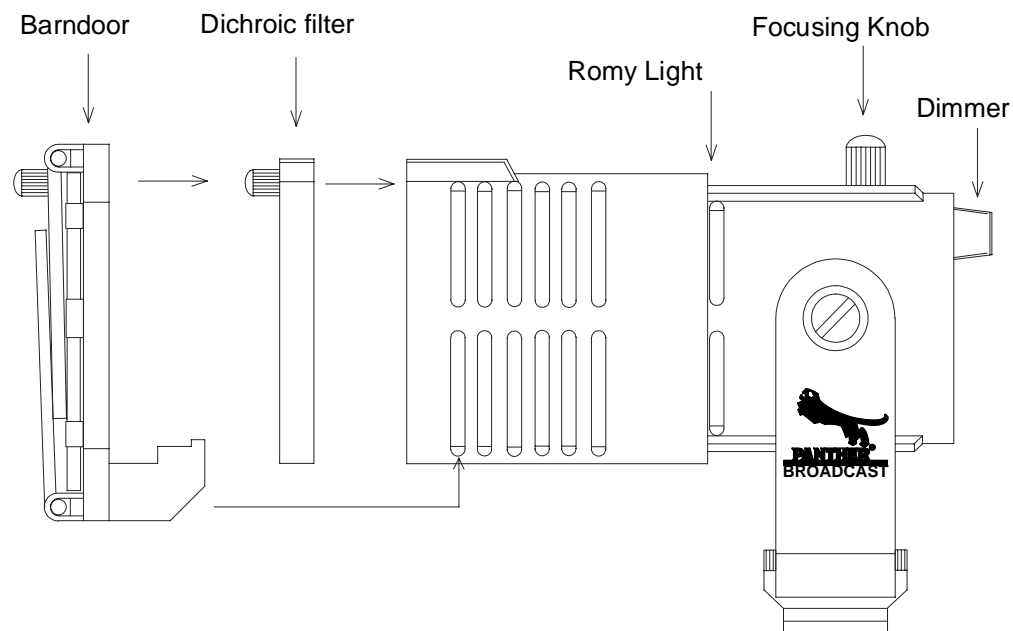
1. the luminaire was operated improperly or not in accordance with the specified technical data or
2. the housing was disassembled by unauthorized personnel.

We reserve the right to make changes based on technical advances.



Instruction Manual

Romy 75



Foreword:

Congratulations on your decision to buy/rent the **Romy Light**.

Please read the following instructions carefully to ensure utmost safety and reliability of this product.

And now, enjoy your work with the **Romy Light**

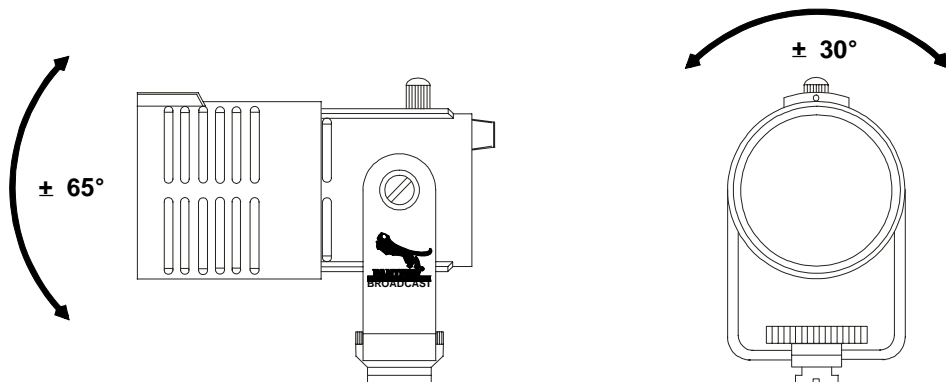
Sincerely
Panther Broadcast
(a Division of Panther GmbH)

Safety instructions:

1. Please use the Romy light only after you have read and understood the Manual. You must follow the safety instructions at all times.
2. Do not connect to a power source whilst in contact with water, if you have wet or damp hands or if connectors or cable are wet/damp!
3. Do not place the luminaire in water!
4. Ensure that during the operation of the luminaire enough clearance is maintained around the luminaire so that generated heat can dissipate!
5. Operate luminaire with housing closed and intact protective glass only!
6. Handle with care! **Do not throw!**
7. Repairs should be effected only by the manufacturer or qualified staff. Panther GmbH offers service training upon request. Please contact +49 89 61390030 for further details/appointment

Properties:

The Panther Romy 75 is designed for use on board of a TV camera. It is operated from low voltage and designed for continuous use up to 75W. The power cable comes with a standard XLR 4-pin male connector or an Anton Bauer connector.



The Romy 75 must be powered from a D.C. power source set to 13.2 Volts output (11-15V, depending on type of bulb).

Operation:

1. Inserting the bulb

Open the luminaire by loosening the focussing lock screw sufficiently. Then pull the reflector housing off. Push the bulb firmly and straight into the socket. Be careful not to damage it and not to bend its pins.

Do not touch quartz glass bulb with bare fingers.

Please use the bulb packing for protection when inserting the bulb.

Do not use bulbs other than those mentioned here:

Preferred type: Osram 64450 S 75 W/12V, Osram 64450 U 75 W/12V
Osram HLX 64610 50W/12V, Osram 64440 S 50W/12V
Osram 64432 S 35W/12V, Osram 64427 S 20W/12V

Then close the luminaire and fasten the focussing lock screw.

2. Powering the luminaire

Connect the luminaire to an appropriate D.C. power source. Switch on the luminaire by using the on/off switch. Use the Dimmer knob on top of the on/off switch to lower the light. Eventhough the focussing knob is fastened tightly the reflector housing can be moved forward by 3 mm (1/8 in.) for focussing.

3. Switching off the luminaire

Use the on/off switch to cease operation.

To avoid damage to the battery by deep discharging, the luminaire has to be switched off when the battery reaches the end of discharge voltage.

This is the case with a significant reduction of light output and colour temperature.

When you pack away the luminaire, make sure it has sufficiently cooled down before.

4. First operation

During the first operating hours you might notice a slight odour coming from the luminaire which does not indicate any malfunction.

5. Changing the bulb

If the bulb is damaged or deformed it has to be replaced with a new one.

Switch off the luminaire and allow for sufficient cooling down. Disconnect the power source. Replace the bulb as outlined in Inserting the bulb.

6. Dichroic (daylight) Filter/ barndoor (accessories) see page1

The dichroic filter can be used with or without the barndoor.

Put the filter on front of the Romy light an screw tight. The knurled screw may be parked on the threaded filter side if filter is not in use.

Insert the two noses of the barndoor into the first slot of reflector housing and put knurled screw through the filter (screw of filter is parked at the side) and screw tight. The filter remains at the luminaire. It can be turned even with the barndoor mounted.

The 4 wooden pegs can be used to fix filter foils to the barndoor.