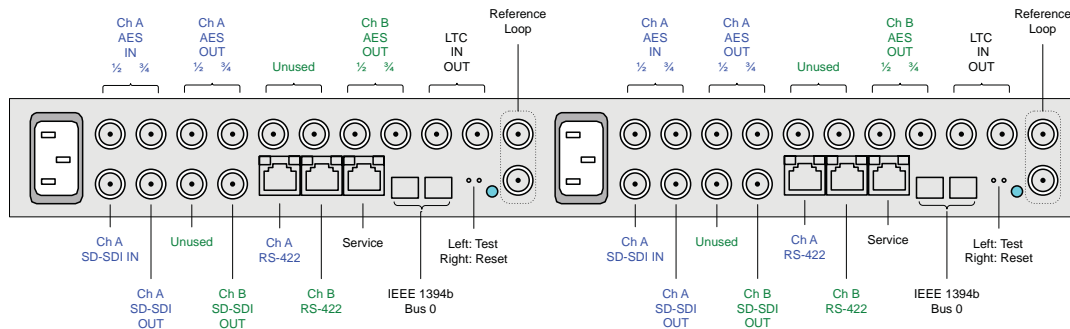
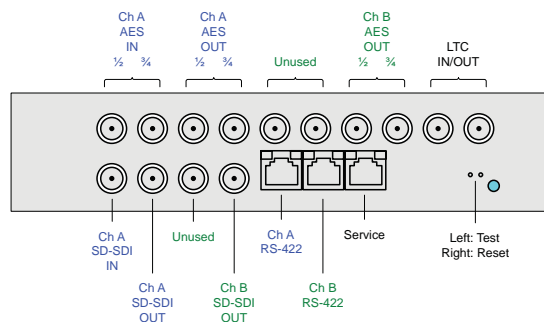


5200 Series MPEG-2 SD MediaPort (Upgradable to HD)



MIP-5202 rear panel



MDM-5201 rear panel

The Omneon 5200 series MPEG-2 SD MediaPorts provide record and play of SD video and digital audio, compressing it for storage on the Omneon Spectrum Video Server and the Omneon MediaDeck. The MIP-5201 and MIP-5202 are supplied in their own enclosure and connect to the server by external cabling. The MDM-5201 plugs directly into one of the two accessory slots of the MediaDeck, which supplies power, reference, and data via the backplane connector.

These MediaPorts offer the features described below. Unless otherwise specified, each feature applies to all models in the 5200 Series.

- One (MIP-5201 and MDM-5201) or two (MIP-5202) SDI video input/output channels, plus one (MIP-5201 and MDM-5201) or two (MIP-5202) SDI video output channels. Each channel is independently configurable, and complies with SMPTE 259M (SD SDI).
- Field-upgradable to the corresponding model in 5300 series, thus adding full HD record/play capabilities to the unit. (See the 5300 Series Product Specifications for details regarding those products.)
- Support for up to 16 channels of embedded audio, or up to 4 channels of discrete (AES/EBU) audio, per video channel
- Modules are 'hot swappable' and can be replaced without disrupting other operations on the server
- Video data compressed using MPEG-2 Long GOP method at 8-24.9 Mb/s, MPEG-2 I-frame method at 25-50 Mb/s, or IMX 30, 40, or 50. See reverse for complete record/play specifications, supported formats, and bitrates.
- SD frame geometry of 720x480i @ 29.97 and 720x576i@25.
- 4:2:0 or 4:2:2 chroma sampling selectable at any bitrate.
- User-selectable MXF OP1a (self-contained essence), MXF OP1b, or QuickTime wrapper format
- Supports SDI embedded audio compliant with SMPTE 272M
- Supports pass-through (data mode) of pre-compressed audio such as AC-3 and Dolby™ E

Audio is supplied to the MediaPort by either the rear panel AES/EBU BNC connectors for up to 2 pairs (4 channels) per video channel, or by SDI embedded audio (16 audio channels per video channel). SDI embedded audio support in accordance with SMPTE 272M is a standard feature of the 5200 series, eliminating the need for external embedders and de-embedders.

■ PRODUCT SPECIFICATION

5200 Series MPEG-2 HD MediaPort Specifications

Parameter	Specification	Detail
Video	SMPTE 259M (SD) ITU-R BT.601 (data and electrical)	75 Ohm BNC 5201: 1 SD SDI input/output plus 1 SD SDI output 5202: 2 SD SDI input/outputs plus 2 SD SDI outputs
Audio	AES/EBU, 24 bits per sample @ 48 Khz Pre-Compressed Audio	4 channels (2 AES pairs), or embedded per SMPTE 272M AC. 75 Ohm BNC connector Audio samples stored as uncompressed PCM Pass-through (data mode) of AC-3 and Dolby E
SD video compression	MPEG-2 Long GOP 8-24.9 Mb/s (record) MPEG-2 Long GOP 3-24.9 Mb/s (play) MPEG-2 I-frame 25-50 Mb/s IMX 30, 40, 50 4:2:0 or 4:2:2 chroma selectable at any bitrate	SD: MPEG-2 MP@ML, 422P@ML
SD Video formats	720 x 480i @ 29.97 fps 720 x 576i @ 25 fps	Interlaced 525-line frames delivered in 2 fields Interlaced 625-line frames delivered in 2 fields
Control	VDCP and limited BVW protocol Omneon Player API	RS-422 interface; RJ-45 connector, RJ-45 to DB-9 adapter supplied Control of 5200 series via software; access via Ethernet to server
Server interface	IEEE 1394b	MIP-520x: Interface via external cable to MediaDirector MDM-5201: Interface by backplane connection to MediaDeck
VBI	Carried in SD-SDI EIA-608	User-specified lines preserved SD closed-caption
Timecode	LTC SMPTE 328M	75-ohm BNC connector Supplied in MPEG user data
Reference timing signal	Analog composite video with color burst, black	MIP-520x: Supplied via REF LOOP connector MDM-5201: Supplied by MediaDeck; sourced from MediaDeck's REF LOOP connector
Environmental	Operating Temperature Humidity	+10C to +35C 10% to 80% non-condensing
Safety	USL/CNL	UL 670950-1, 1st Edition CSA C22.2 No. 60950-1-03, 1st Edition IEC 60950-1 (2001) 1st Edition
EMC	FCC Part 15, ICES-003 ICES-003 Directive of Electromagnetic Compatibility (89/336/EEC) including amendments CISPR 22	Class A for Digital Equipment, USA Class A for Digital Equipment, Canada EN55022:1998, EN55024:1998 Emissions from Information Technology Equipment Immunity for Information Technology Equipment Class A
Dimensions	MIP-520x: W: 44.4 cm (17.5 inches) H: 4.4 cm (1.75 inches) D: 64.6 cm (25.43 inches) 65.4 cm (25.75 inches) 66.5 cm (26.18 inches) MDM-5201: plugs into MediaDeck accessory slot	Chassis only, inside rack 1 RU Chassis front to chassis rear Chassis front to rear of BNC connectors Front of bezel to rear of BNC connectors Front bezel extends forward [Max. 1.1 cm (0.4375 inches)] from chassis front edge and rack ear plane.
Weight	MIP-5201: 5.4 kg (12.0 lb) MIP-5202: 6.4 kg (14.2 lb) MDM-5201: 1.1 kg (2.4 lb)	
Power	MIP-520x: 100-240V AC 45-63 Hz 120 W	MIP-520x: Dual redundant power supplies with separate IEC 60320 C-14 sockets. MDM-5201: Power supplied from MediaDeck.



www.omneon.com

U.S. Headquarters:
1237 East Arques Avenue
Sunnyvale, CA 94085
ph +1 866.861.5690
ph +1 408.585.5000
fx +1 408.585.5099

Europe:
5 Lindenwood
Chineham, Basingstoke
RG24 8QY United Kingdom
ph +44 1256.347.400
fx +44 1256.347.410

Japan:
Ginza 3-Chome Bldg. 8F
3-14-1 Ginza, Chuo-ku
Tokyo 104-0061 Japan
ph +81 03.5565.6735
fx +81 03.5565.6736

Asia/Pacific:
20 Loyang Crescent
Singapore 508984
ph +65 6548.0500
fx +65 6548.0504

©2008 Omneon Inc. All rights reserved. Omneon and the Omneon logo are registered trademarks of Omneon, Inc. All other trademarks are the property of the respective companies. Printed in USA | June 2008. The information contained in this document is subject to change without notice or obligation. SP_MediaPort5200_080623