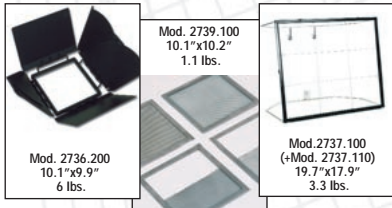
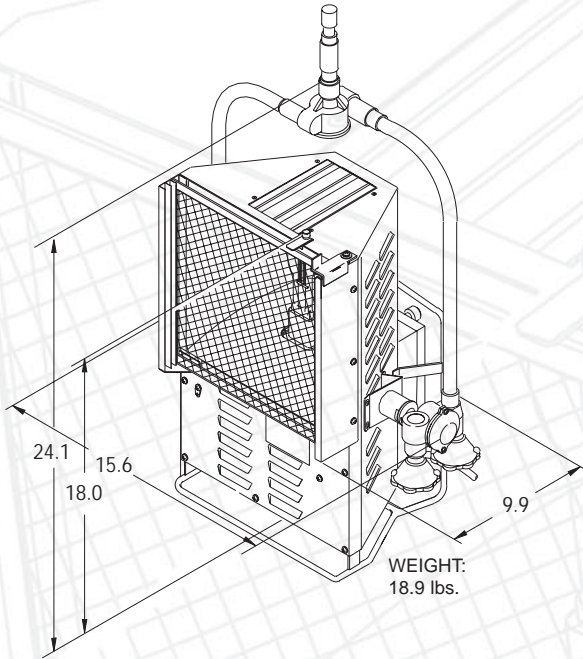


RENOIR 2kW



Mod. 3131

PHOTOMETRIC DATA RENOIR 2000W				
Values measured with: CP 73 Lamp				
FEET				
TYPICAL DISTANCES	10'	20'	30'	40'
Candle Power	FOOTCANDLES			
LIGHT CENTER VALUES	22,250	223	56	25
	14			
F.C. at any distance = CANDLE POWER : [Distance (in ft)] ²				
BEAM ANGLE (50% OF CENTER VALUE)		BEAM SIZE (W x H in feet)		
WIDTH	84"	19'	36'	54'
HEIGHT	85"	18.3'	36.7'	55'
			73.3'	



Mod. 3130

