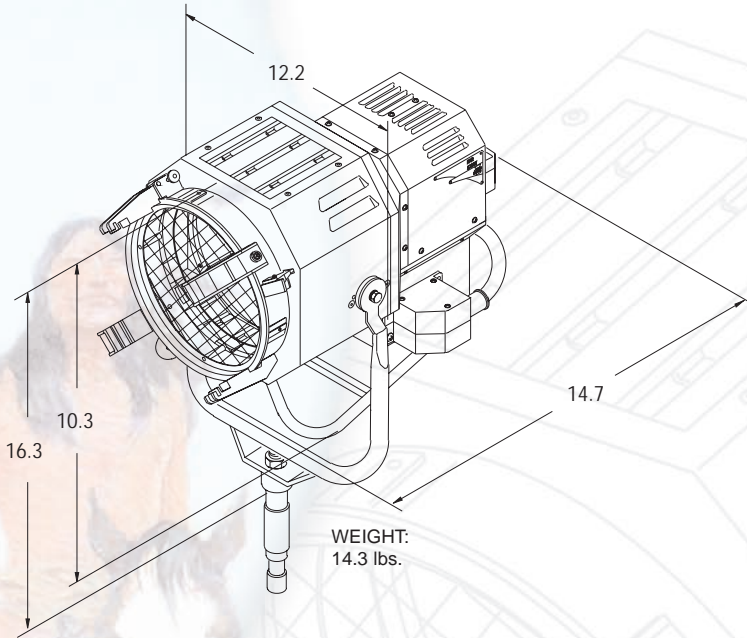
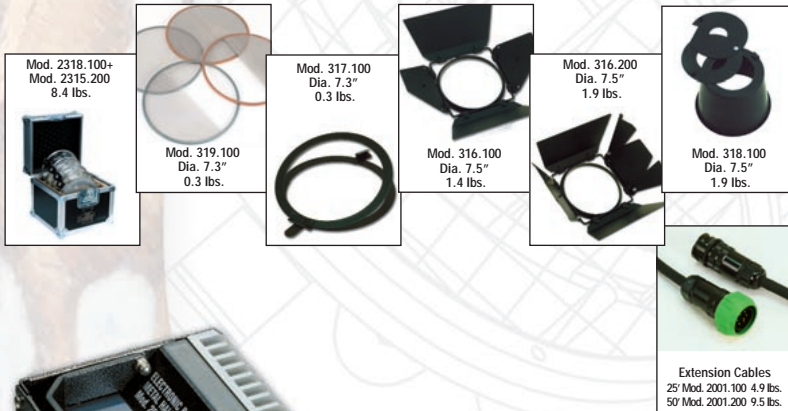


REMINGTON 575W



Mod. 2312

PHOTOMETRIC DATA REMINGTON 575W					
Values measured with: MSR 575HR					
FEET					
		10'	20'	30'	40'
TYPICAL DISTANCES					
LIGHT CENTER VALUES		Candle Power		FOOTCANDLES	
No Lens	1,575,000	15,750	3,938	1,750	984
VNSP Clear	628,750	6,288	1,572	699	393
NSP Frosted	319,250	3,193	798	355	200
MF Rect. Pr.	94,025	940	235	104	59
EWV Square Dimples	24,250	243	61	27	15
Frosted Fresnel	19,525	195	49	22	12
F.C. at any distance = CANDLE POWER : [Distance (in ft)] ²					
BEAM ANGLE (50% OF CENTER VALUE)			BEAM SIZE (W x H in feet)		
No Lens	6°	1'	2.1'	3.1'	4.2'
VNSP Clear	9°	1.5'	3'	4.5'	5.9'
NSP Frosted	17°x10°	3'x1.7'	6'x3.5'	9'x5.2'	12'x7'
MF Rect. Pr.	42°x17°	7.7'x3'	15.4'x6'	23'x9'	30.7'x12'
EWV Square Dimples	73°	14.8'	29.6'	44.4'	59.2'
Frosted Fresnel	41°	7.5'	15'	22.4'	29.9'



Mod. 2505

