



De Sisti Lighting S.p.a.

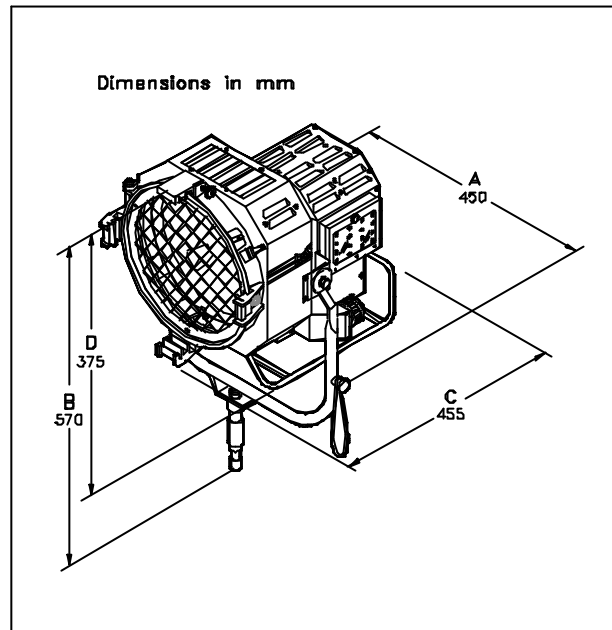
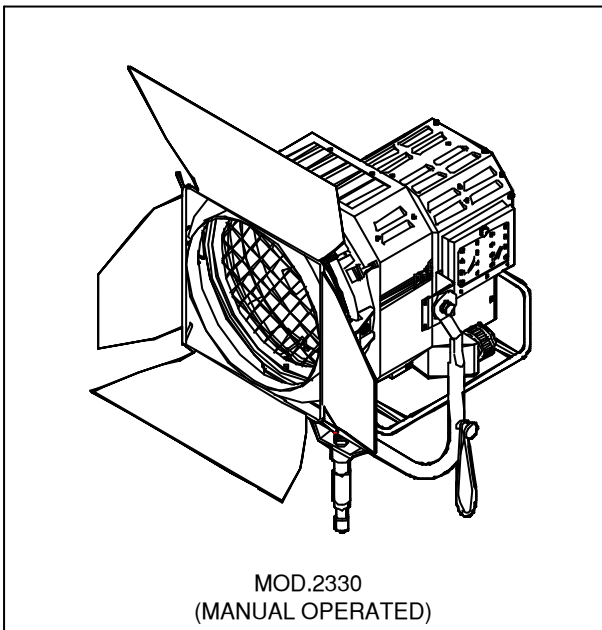
Via Cancelliera # 10a, 00040 Albano Laziale (Rome- Italy).

Tel. ..39/06/934991 Fax. ..39/06/9343489

U.R.L. Address: www.desisti.it E-mail address: desisti@desisti.it

REMINGTON 1.200 w *Single ended Hot Re-strike Open Face PAR SPOTLIGHT*

INSTRUCTION MANUAL



MANUFACTURER

De Sisti Lighting S.p.a.

Via Cancelliera # 10a, 00040 Albano Laziale (Rome- Italy).

Tel. +39/06/934991 Fax. +39/06/9343489

U.R.L.: www.desisti.it E-mail: desisti@desisti.it

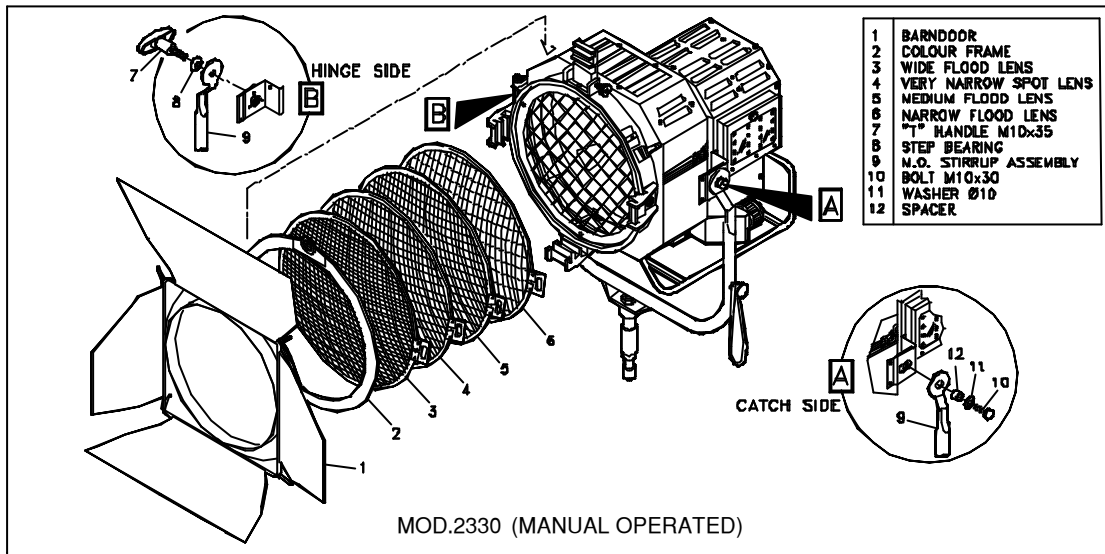
REPRESENTATIVE

1. INTRODUCTION

Congratulations on your purchase of a REMINGTON 1200 W lighting fixture from De Sisti Lighting . Our commitment to Total Customer Satisfaction and our consolidated experience and leadership in design innovation and manufacturing of lighting products for the professional Entertainment Industry means you can depend upon the quality of this product.

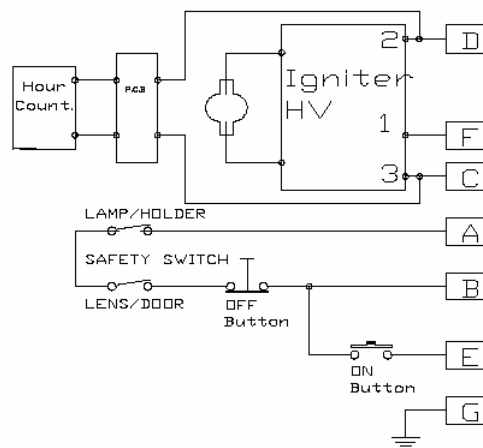
The REMINGTON 1200 W is a compact, dual power open face Par Spotlight , using Single ended Hot Re-strike metal halide discharge lamps having G38 socket , L.C.L. of 107 mm and 1200 W power .

2. YOKE AND ACCESSORIES ASSEMBLY



3. SAFETY INSTRUCTIONS

- ⇒ **Professional use:** This luminaire has been designed for professional use and must be operated by qualified personnel only. **Not for residential use.**
- ⇒ **Grounding:** This luminaire is used only with De Sisti ballast . THE BALLAST MUST BE GROUNDED .
- ⇒ **Electrical connections :**
 - DO NOT CONNECT THIS LUMINAIRE DIRECTLY TO THE ELECTRICAL MAINS .
 - The supply cord ends with a dedicated connector . By this connector the luminaire must be connected to PROPERLY RATED DE SISTI BALLAST , magnetic or electronic .
 - The wiring diagram of lamp house and connector is shown herebelow



Working conditions

⇒ Working Position	Lighting fixture: Max. Tilting $\pm 90^\circ$ from horizontal	Lamp: any (see lamp catalogue		
⇒ Ambient Temperature, t_a	+45° C Max			
⇒ Minimum distances from inflammable surfaces	Top	Back	Sides	Front
	0,5 m.	0,2 m.	0,2 m.	3,5 m.

The luminaire should never be OPERATED close to inflammable materials. The ones indicated in the above table are the minimum distances recommended.

Other requirements for safe use are:

- A. Do not cover the apertures of the luminaire housing. They are essential for correct ventilation. Do not use on the floor. It reduces the ventilation.
- B. Use only original accessories and spares from De Sisti Lighting.
- C. Before hanging the luminaire ensure that the suspension point (or the stand) is properly rated to accept the luminaire weight.
- D. A suitable secondary safety suspension device (safety cable, chain or equivalent) must be fitted between the suspension point and one of the brackets on the side of the luminaire body interfacing the stirrup .

WARNING : DO NOT MOUNT THE LUMINAIRE ON A NORMALLY FLAMMABLE SURFACE .

WARNING : UV RISK . The lamps usable on the luminaire emit an amount of UV RADIATION very dangerous for human health if not properly shielded .

For this reason the luminaire **MUST NEVER BE USED IN THE SITUATIONS WHEN DIRECT LIGHT EMISSION FROM THE LAMP CAN OCCURR** (ex : Damaged or no front glass , no mirror , damaged internal baffles , additional aperture on the housing)

4. INSTALLATION INSTRUCTIONS

Before connecting the luminaire to the ballast ensure that:

- A – The ballast is compatible with the luminaire .
- B - The ballast is suitable for the electrical mains (Voltage & Frequency) .
- C – The ballast is properly earthed (use the ground continuity test present on De Sisti ballast) and the ballast main switch is in OFF position .
- D - The lamp fitted :
 - is among the usable lamps (see point 6 or check with your De Sisti dealer)
 - (for magnetic ballast) has the nominal power equal to the ballast.
 - (for De Sisti Electronic Ballast , single or dual power) has nominal power not higher than the Max of the ballast .

WARNING : THE SINGLE ENDED DISCHARGE LAMPS 1200 W , 2500 W , 4000 W HAVE THE SAME BASE (G38) FOR DIFFERENT WATTAGES . THEREFORE A CHECK OF WATTAGE COMPATIBILITY IS ESSENTIAL FOR SAFE USE .

- E – The front safety shields against the lamp explosion are present and in good condition.
They consist of a glass plus wire guard. The safety glass is made by borosilicate glass D= 250 mm, thickness = 5 mm.

After connection to the ballast , follow the ballast instruction to operate on the system .

WARNING : SHIELDS, LENSES SAFETY OR DICHROIC GLASSES SHALL BE CHANGED IF THEY HAVE BECOME VISIBLY DAMAGED TO SUCH AN EXTENT THAT THEIR EFFECTIVENESS IS IMPAIRED, FOR EXAMPLE BY CRACKS OR DEEP SCRATCHES.

THE LUMINAIRE SHALL ONLY BE USED COMPLETE WITH ITS PROTECTIVE SHIELD .

5. LAMP INSTALLATION AND REPLACEMENT

The following procedure should be adopted:

- A - Ensure the luminaire is electrically isolated from the power supply.
- B -WAIT AT LEAST 5 MINUTES FROM SWITCHING OFF to avoid risk of injury from possible lamp explosion.
Then open lens door .
 - WARNING:** AFTER THE ABOVE MENTIONED TIME THE LAMP MAY STILL BE VERY HOT, USE PROPER THERMAL PROTECTION (EG. GLOVES).
- C - Check that the new lamp is of the correct type. **SEE WARNING FOR INSTALLATION (ITEM 4 – D) .**
- D - Release the lamp clamping device by means of dedicated knob at the side of the fixture .
- E - Replace the lamp taking good note of the following:
 - do not touch the bulb with bare-hands; oil and grease can contaminate the bulb surface and then reduce the performance and the lamp life.
 - the plastic cover which protects the lamp should not be removed until after fitting.

- should the bulb become dirty due to hand contact or for any other reason, it can be cleaned with a cloth moistened with alcohol

F – Re-tight the lamp clamping device .

G - Ensure that the lens door is securely closed.

WARNING : THE LAMP MUST BE REPLACED IF IT HAS BECOME DAMAGED OR DEFORMED .

6. CHARACTERISTICS AND PERFORMANCE DATA

DESCRIPTION	VALUE			
↻ Amperage	See lamp data (from ballast to head) or ballast manual (supply to ballast)			
↻ MAX Ignition voltage (hot lamp)	≅ 50 KV (1200 W lamp)			
↻ Connections to ballast (Standard version)	BALLAST TYPE		CONNECTION	
	DEB 1,2 K		Direct	
	DEB 575\1200 w		Direct to 1200 w socket	
↻ Connector type	Standard Version		Special Version (*)	
	7 Pin 24-2 Male with ring nut - Type : Bayonet 3 ramps		7 pin (6 M - 1 F) with threaded ring nut - Type : German std M1	
↻ Lamp Holder	G-38 High Voltage with clamping system & microswitch.			
↻ Power Cable (from fixture to ballast)	7 x 1,5 mm ² - Rubber , for rough service			
↻ Protection Class	Class 1– ground connection required through ballast			
↻ Protection Type	IP 22			
↻ Max Housing surface temperature	160 °C			
↻ Weight of Fixture	13 Kg			
↻ Weight of barndoor	4 leaf		8 leaf	
	1,4 kg.		1,65 kg.	
↻ Size of Barndoor ring	Seat Diameter		Ring Diameter	
	314 mm.		313 mm. (≅ 12 ¹ / ₄)	
↻ Size of scrims and lenses	Seat x scrims	Scrim Dia.	Seat x lenses	Lens holder Dia
	310 mm	305 mm (≅ 12 ¹ / ₄)	300 mm	298 mm

(*) = Special version with German std M1 connector are available only on special request and shall be used with special ballast and extension cables for connector compatibility .

USABLE LAMPS Manufacturer	Model
OSRAM	HMI 1200 / SE
PHILIPS	MSR 1200 / HR

Other manufacturers may be used as long as they meet completely the technical specifications of the above lamps

7. PERIODIC INSPECTION

- The condition of the internal wiring insulation shall be inspected and tested every 500 working hours and at least once a year. This frequency may need to be increased if rough or unknown (eg. rental) treatment is incurred. Replace only with original De Sisti Lighting spare parts. Non-original cables may not withstand the thermal and mechanical conditions of use
- The lamp condition must be checked every 100 working hours. In order to avoid explosion the lamp should be changed if it has become damaged or deformed. Follow the instructions supplied by the lamp manufacturer.
- Check the condition of the safety shield (see section 4 : Installation Instructions) before every use.
- High Voltage components : High voltage wires (from igniter to lampholder) , their external shield , and the lampholder must be inspected every 100 working hours and at least once a year . They shall be replaced as soon as any mechanical cracking , even if minor , or visible thermal damage is discovered.
- The behaviour of the lamp clamping device and of the safety microswitches (on the lamp clamping device and on the door closure) must be checked every 250 working hours and at least ones a year .
- The correct status , functionality and tightening of the lensdoor assembly (including hinge and door catch) must be checked once a year , or more frequently depending on the use , to ensure that the accessories are correctly retained and the door properly fixed and retained when closed .
- Check the condition of the mirror every 250 working hours and replace as soon as it becomes cracked or opaque . It is essential for good light performance and correct thermal behaviour .

8. SAFETY STANDARDS

Europe: The product conforms the Applicable European Directives & Standards	America: the product conforms NEC & UL stds.
☞ Low Voltage Directive: 73/23/EEC (as amended by 93/68/EEC)	UL Standard : 1573
☞ EMC Directive: 89/336/EEC (as amended by 92/31/ EEC and 93/68/EEC)	
☞ European Standards: EN 60598-2-17, EN 60598-1 , EN 55015	