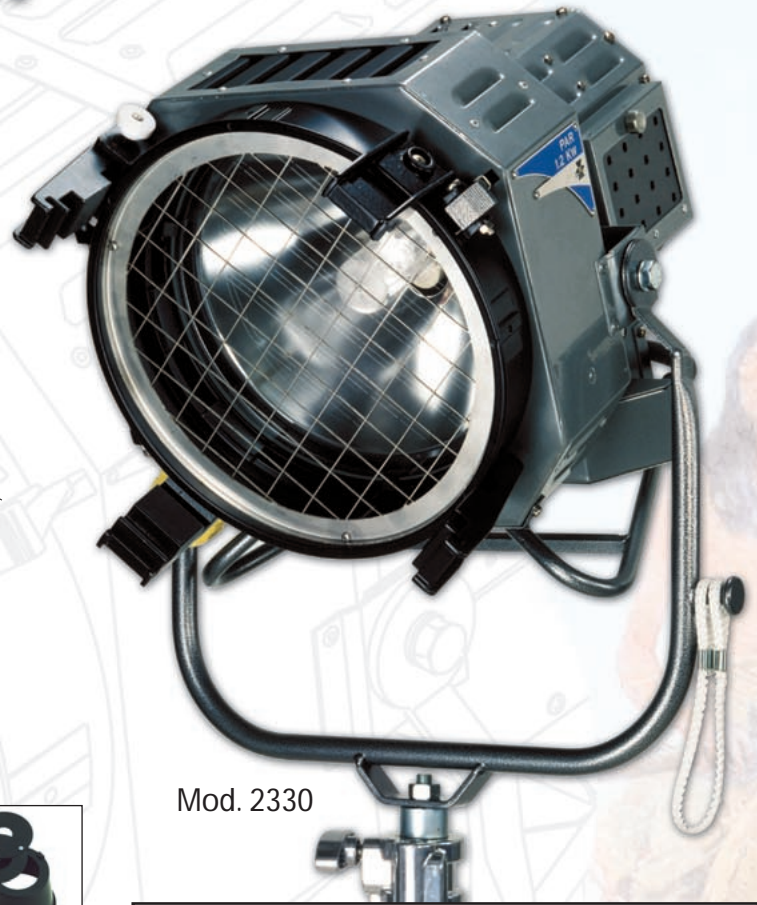
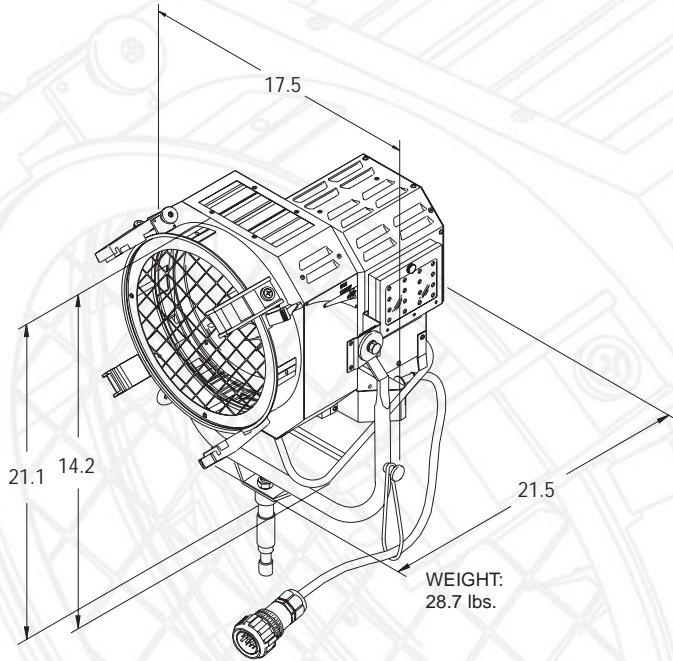
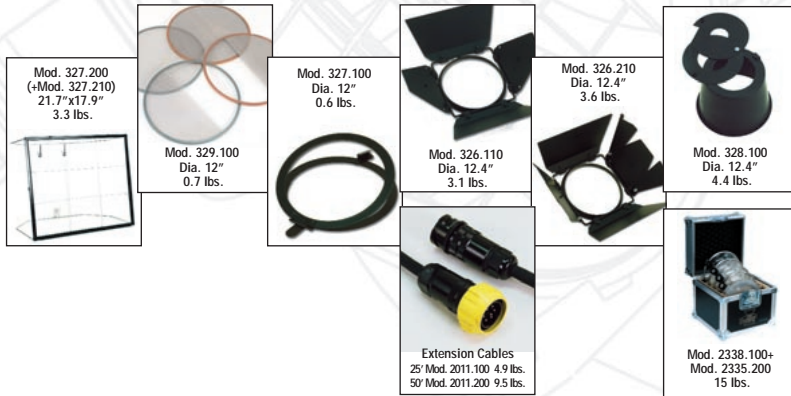


REMINGTON 1200W



Mod. 2330



PHOTOMETRIC DATA REMINGTON 1200W					
Values measured with: MSR 1200HR					
FEET					
		20'	30'	40'	50'
TYPICAL DISTANCES					
LIGHT CENTER VALUES		Candle Power		FOOTCANDLES	
No Lens		3,875,000	9,675	4,300	2,419
VNSP Clear		985,500	2,461	1,094	615
NSP Frosted		497,500	1,242	552	311
MF Rect. Pr.		190,000	474	211	119
EWf Square Dimples		122,500	306	136	76
Frosted Fresnel		44,825	112	50	28
F.C. at any distance = CANDLE POWER : [Distance (in ft)] ²					
BEAM ANGLE (50% OF CENTER VALUE)		BEAM SIZE (W x H in feet)			
No Lens	5.5°	1.9'	2.9'	3.8'	4.8'
VNSP Clear	11°	3.9'	5.8'	7.7'	9.6'
NSP Frosted	24.5°x11.5°	8.7'x4'	13'x6'	17.4'x8.1'	21.7'x10.1'
MF Rect. Pr.	51°x17.5°	19.1'x6.2'	28.6'x9.2'	38.2'x12.3'	47.7'x15.4'
EWf Square Dimples	20°	7.1'	10.6'	14.1'	17.6'
Frosted Fresnel	41°	1'	22.4'	29.9'	37.4'



Mod. 2515

