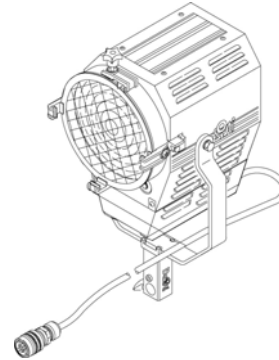




# Rembrandt® Piccolo 200w HMI Fresnel

## 2490 Series



### SPECIFICATIONS

#### Compact Daylight Discharge HMI Fresnel

#### PHYSICAL

Lightweight & stainless steel construction  
 Double wall & internal baffles for efficient ventilation  
 Finished with silver gray, high temperature, anti-scratch powder coat paint  
 Top locking safety bracket to secure mounted accessories  
 Hinged lens door with stainless steel wire guard for easy re-lamping without removing mounted accessories  
 Flat aluminum yoke with 5/8" receiver  
 Clutch activated T-handle for secure, single hand operation  
 UL Listed

#### ELECTRICAL

115-240V, 50/60Hz  
 Twelve foot (12") attached head to ballast cable  
 Equipped with silent igniters to operate from electronic or magnetic ballasts  
 Weatherproof on/off push buttons  
 IP23 rain tested

#### LAMP

200w Maximum  
 High voltage insulated GZY 9.5 bi-pin socket for single ended HMI lamps (see table for suitable lamps)  
 Capable of hot re-strike  
 Collar clamping holds lamp firmly without stressing the electrical contacts

#### OPTICAL/ FOCUS MECHANISM

4.75" (120mm) shock resistant borosilicate glass fresnel lens  
 Special bi-metallic clad aluminum reflector for high degree of reflectivity and thermal resistance for long life  
 Focusable from the rear  
 Screw feed mechanism which guides a Teflon bushing along a brass twisted rod

### ORDERING INFORMATION

#### Rembrandt Piccolo 200w

Model #	Description	Wt.
2490	4.75" HMI Fresnel supplied with 12' cable and connector and flat aluminum yoke with 5/8" receiver	18.1
2490.600/S	System supplied with attached 12' cable and connector, flat aluminum yoke w/ 5/8" receiver, four leaf barndoor, colorframe & A.C. DEB 200w flicker free electronic ballast	23.3
2490.610/S/L	System supplied with attached 12' cable and connector, flat aluminum yoke w/ 5/8" receiver, four leaf barndoor, colorframe, A.C. DEB 200w flicker free electronic ballast & 200MSR lamp	23.6
2490.680/K/S/L	Kit supplied with attached 12' cable and connector, flat aluminum yoke w/ 5/8" receiver, four leaf barndoor, colorframe, four piece scrim set, A.C. DEB 200w flicker free electronic ballast, 200MSR lamp and fly case for complete kit	n/a

#### Rembrandt Piccolo 200w Accessories

Model #	Description	Wt.
2495.210	A.C. DEB 200w flicker free electronic ballast, automatic main input selection from 90 to 265v, 50/60Hz, low noise and 35% dimming capability, with 6' detachable main cable (MIL connector)	4.4
306.100	Four leaf rotating barndoor	0.4
306.200	Eight leaf rotating barndoor	0.7
307.100	Colorframe	0.2
309.100	Four piece stainless steel scrim set	0.2
308.100	Cone w/ two discs (2.8", 2", 1.2")	0.4
8031	Scrim bag	0.2
2490.601	Fly case for 2490.680/K/S/L	n/a
2208.100	Cable head to ballast 200/400w, 8'	0.8
2208.200	Cable head to ballast 200/400w, 25'	1.4
DGP-A620B	Aluminum black stand w/ 5/8" spigot	2.0

# Rembrandt® Piccolo 200w HMI Fresnel

## 2490 Series

### PHOTOMETRICS

TYPICAL DISTANCES		10'	20'	30'	40'
LIGHT CENTER VALUES	Candle Power	FOOTCANDLES			
SPOT	99,000	990	248	110	62
FLOOD	10,350	104	26	12	6
<i>Values measured with MSR 200HR lamps—120V, 4.75" (120mm) Dia. Fresnel Lens</i>					
F.C. at any distance = CANDLE POWER: [Distance (in ft)] <sup>2</sup>					
BEAM ANGLE (50% of center value)		BEAM DIAMETER in feet			
SPOT	6°	1'	2.1'	3.1'	4.2'
FLOOD	48°	8.9'	17.8'	26.7'	35.6'

For illumination with any lamp, multiply the candlepower of a beam spread by the multiplying factor (mf) shown for that lamp.

To determine illumination in footcandles or lux at any throw distance, divide candlepower by distance squared.

For field diameter at any distance, multiply distance by .12

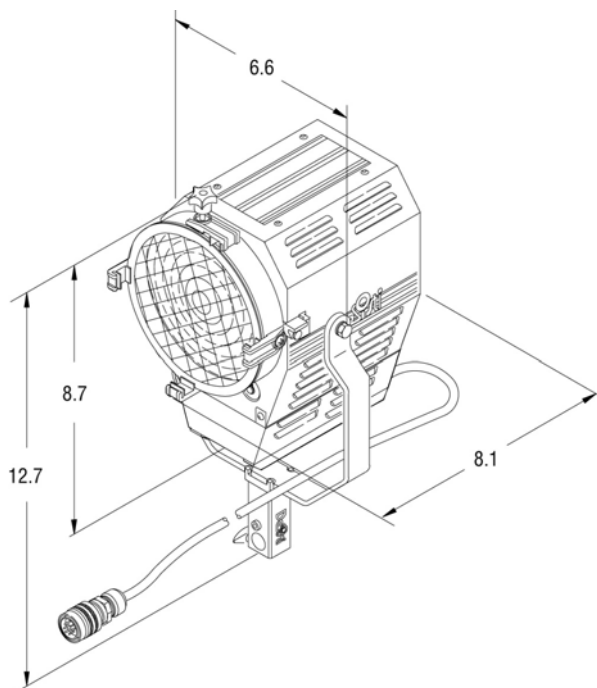
For beam diameter at any distance, multiply distance by .11

**Metric Conversions:** For Meters multiply feet by .3048  
For Lux multiply footcandles by 10.76

### LAMPING INFORMATION

Lamp Code	Watts	Volts	Color Temp	Avg. Rated Life
200MSR	200	230v	5600K	200

### DIMENSIONS (inches)



### DE SISTI LIGHTING

dba Desmar Corporation  
1109 Grand Avenue  
North Bergen, NJ 07047  
201-319-1100  
201-319-1104 Fax  
[www.desisti.it](http://www.desisti.it)