



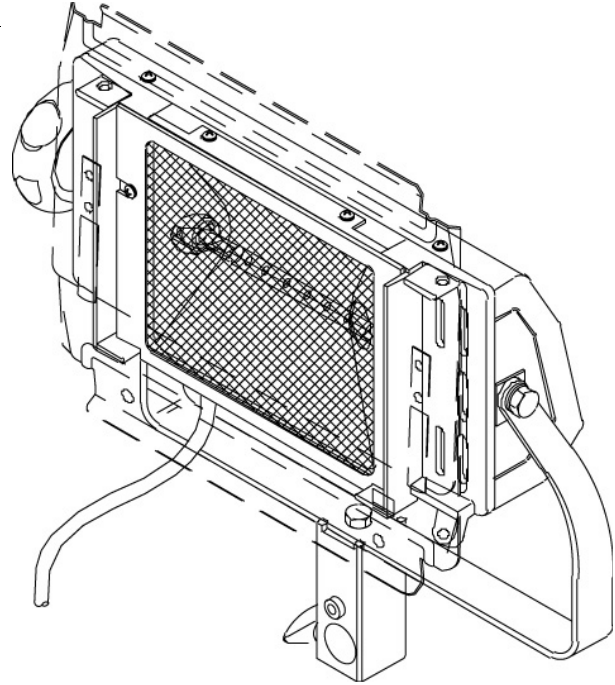
# Cosmobroad® 1000w Broadlight

## RC110 Series

### SPECIFICATIONS

#### Quartz Halogen Broadlight

- PHYSICAL** Constructed of rectangular shaped die cast magnesium and fiberglass alloy housing  
 High temperature black finish  
 Highly suitable for portable kits  
 Integrated four leaf barndoor with gel clips  
 Flat aluminum yoke with standard 5/8" receiver  
 UL Listed
- ELECTRICAL** 120-230V, 50/60Hz  
 16/3 SO 90° type cable  
 Twelve foot (12') standard UL lead with 20 amp in-line on/off toggle switch protected by impact resistant cover  
 Supplied with molded u-ground connector
- LAMP** 1000w Maximum  
 R7s socket for linear double ended Tungsten halogen lamps (see table for suitable lamps)
- OPTICAL** Polished aluminum asymmetrical reflector grants a high degree of reflectivity  
 Asymmetrical form of the reflector is particularly useful in cases where the lamp must be placed on the floor or high above without disturbing the vision of the set



### ORDERING INFORMATION

#### Cosmobroad 1000w

Model #	Description	Wt.
RC110/A	Floodlight, supplied with yoke w/ 5/8" receiver, integrated four leaf barndoor, 12' UL cable with 20 amp in-line on/off toggle switch with molded u-ground connector installed	5.1

#### Cosmobroad 1000w Accessories

Model #	Description	Wt.
RC111	Stainless Steel Wireguard	0.1
91.303	Mini aluminum c-clamp	0.4
DGP-A620B	Aluminum black stand w/ 5/8" spigot	2.0

# Cosmobroad® 1000w Broadlight

## RC110 Series

### PHOTOMETRICS

TYPICAL DISTANCES		5'	10'	15'	20'
	<b>Candle Power</b>	<b>FOOTCANDLES</b>			
<b>LIGHT CENTER VALUES</b>	10,710	428	107	48	27
<i>Values measured with 1000w lamp—120V</i>					
<b>F.C. at any distance = CANDLE POWER: [Distance (in ft)]<sup>2</sup></b>					
<b>BEAM ANGLE (50% of center value)</b>		<b>BEAM SIZE (W x H in feet)</b>			
<b>WIDTH</b>	64°	6.2'	12.5'	18.7'	25'
<b>HEIGHT</b>	54°	5.1'	10.2'	15.3'	20.4'

For illumination with any lamp, multiply the candlepower of a beam spread by the multiplying factor (mf) shown for that lamp.

To determine illumination in footcandles or lux at any throw distance, divide candlepower by distance squared.

For field diameter at any distance, multiply distance by .12

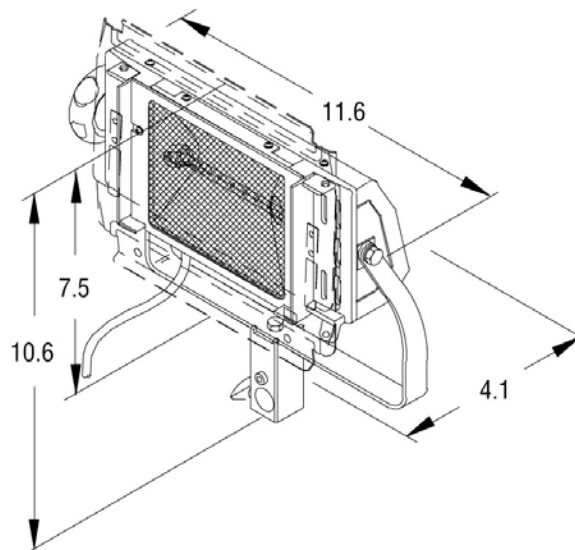
For beam diameter at any distance, multiply distance by .11

**Metric Conversions:** For Meters multiply feet by .3048  
For Lux multiply footcandles by 10.76

### LAMPING INFORMATION

Lamp Code	Watts	Volts	Color Temp	Avg. Rated Life
<b>EHP</b>	300	120	3000K	2500
<b>DWZ</b>	375	120	2950K	1500
<b>FDA</b>	400	120	3200K	250
<b>FCB</b>	600	120	3200K	75
<b>FAD</b>	650	120	3200K	100
<b>DWY</b>	650	120	3400K	25
<b>DXW</b>	1000	120	3200K	150

### DIMENSIONS (inches)



**DE SISTI LIGHTING**  
 dba Desmar Corporation  
 1109 Grand Avenue  
 North Bergen, NJ 07047  
 201-319-1100  
 201-319-1104 Fax  
[www.desisti.it](http://www.desisti.it)