



# MAGIS 300-500-650 W

## Quartz - Halogen Fresnel SPOTLIGHT

DATA SHEET  
15/12/01

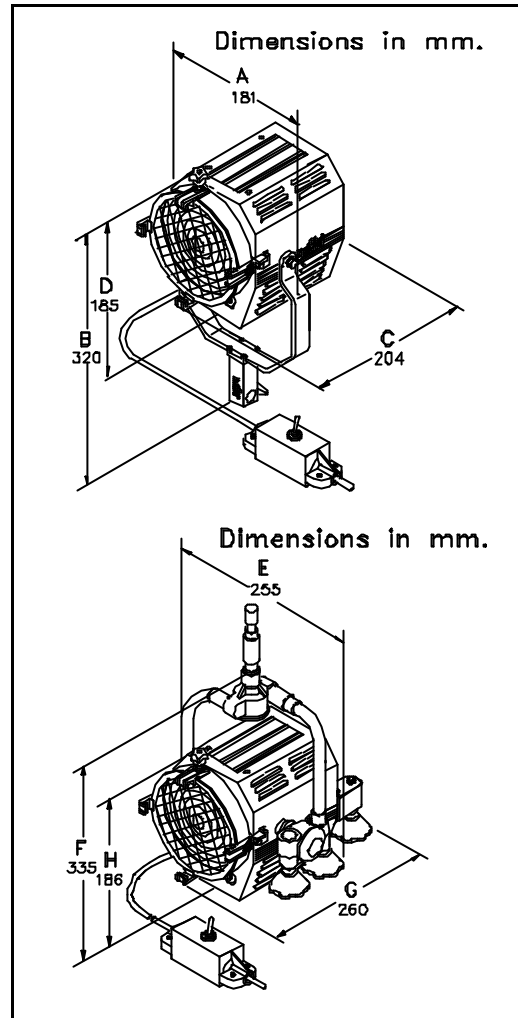


### FEATURES

- Compact, highly efficient Fresnel lens spotlight using tungsten-quartz-halogen filament lamps having GY 9,5 socket, L.C.L. of 46,5 mm. and max. 650 kW power .
- 120 mm. diameter high quality, shock resistant Borosilicate glass Fresnel lens on spring supports.
- Rugged and Lightweight STAINLESS STEEL housing with low glare black epoxy powder coating, with internal double walls and reinforces.
- High efficiency convection cooling.
- GY 9,5 bi-post socket for tungsten halogen lamps.
- Special bimetallic clad aluminum reflector for high degree of reflectivity and thermal resistance for long life.
- Brass Helix Screw on TEFLON socket driven focus mechanism which guides Teflon bushings supported lamp carriage along 2 stainless steel rails. This ensures smooth operation, and restricts bouncing or chattering of the lamp carriage during focusing, in any tilting position of the fixture, avoiding lamp failures during operation. The Teflon bushings also provide a wiping action, which cleans the stainless steel guide rails during focus. The focusing mechanism can be activated from the rear of the fixture and the whole spot to flood action is accomplished with 1 and half turn of the focusing knob.
- The unit is equipped with a hinged lens door with wire-guard for easy access to the lamp, it includes 4 accessory holding brackets. One of the 4 brackets has a locking knob and is spring loaded, it can be locked to either safely hold barndoor, color frame and scrims or to be rotated 90° and locked in an open position for fast accessories changes.
- The accessories are secure regardless of the orientation of the fixture. Accessories have been designed for one hand installation.
- Available with either positive lock manual yokes for comfort and ease of handling, or pole operated yokes which can be used via the lighting pole for Panning and Tilting the lights as well as manually, since the mechanical activators are equipped with clutches.

## CHARACTERISTICS & PERFORMANCE DATA

DESCRIPTION	VALUE	
↻ Amperage	<b>Europe - 230 V</b>	<b>America - 120 V</b>
	2,9 A ( 650W)	5.5 A ( 650 W)
↻ Power supply	<b>Europe</b>	<b>America</b>
	230 V / 0-60 Hz	120 V / 0-60 Hz
↻ Switch on line	<b>M.O. &amp; P.O.</b>	
	Toggle : 16A\125V - 8A\250V	
↻ Lamp Holder	GY 9,5	
↻ Power Cable	<b>Europe</b>	<b>America</b>
	3 x 1,5 mm <sup>2</sup> – 150°C ( 0,5 m silicon 180 °C + 3m H07RN-F 90°C)	3 x 16 A w g ( 0,5 m high T 200°C + 3m SO 90°C + Plug
↻ Protection Class	Class 1– ground connection required	
↻ Protection Type	IP 22	
↻ Max. Housing Surface Temperature	220° C	
↻ Weight of Fixture	<b>M.O.</b>	<b>P.O.</b>
	2,4 kg.	4,7 kg.
↻ Weight of Barndoor	<b>4 leaf</b>	<b>8 leaf</b>
	0,3 kg.	0,4 kg.
↻ Size of Barndoor ring	<b>Diameter</b>	
	133 mm	
↻ Weight of color frame	0,25 kg.	
↻ Size of scrims & color frame	<b>Diameter</b>	
	129 mm.	
↻ Lens diameter	120 mm.	



## USABLE LAMPS

base-watt-filament	230 v		120 v	
	ANSI	LIF	ANSI	LIF
GY 9,5 – 300 w – M Sh	FSL	CP 81	FKW	CP 81
GY 9,5 – 500 w – MP	FRH	CP 82	FRG	CP 82
GY 9,5 – 650 w – MP	FRL	CP 89	FRK	CP 89

## WORKING CONDITIONS

↻ Working Position	<b>Lighting fixture:</b> Max. Tilting $\pm 90^\circ$ from horizontal			<b>Lamp:</b> S90
↻ Ambient Temperature, $t_a$	+45° C Max			
↻ Minimum distances from inflammable surfaces	Top 0,3 m.	Back 0,1 m.	Sides 0,1 m.	Front 1 m.

# PHOTOMETRIC DATA

<b>PHOTOMETRIC DATA MAGIS (300 W LAMP)</b>									
Values measured with: CP 81 Lamp - 220 V, 120 mm. F Fresnel Lens									
<b>FEET</b>					<b>METERS</b>				
<b>TYPICAL DISTANCES</b>	10'	20'	30'	40'	3 mt	6 mt	9 mt	12 mt	
<b>CENTER VALUES</b>									
	<b>Candle Power</b>	<b>FOOTCANDLES</b>				<b>LUX</b>			
SPOT	27.000	270	68	30	17	3.000	750	333	188
FLOOD	3.250	33	8	4	2	361	90	40	23
<b>F.C. AT ANY DISTANCE =</b> Candle Power : [Distance(in ft)] <sup>2</sup>					<b>LUX AT ANY DISTANCE =</b> Candle Power : [Distance(in m.)] <sup>2</sup>				
<b>BEAM ANGLE (50% of center value):</b>									
		<b>BEAM DIAMETER in feet</b>				<b>BEAM DIAMETER in meters</b>			
SPOT	7,2°	1,3'	2,5'	3,8'	5,0'	0,4 mt	0,8 mt	1,1 mt	1,5 mt
FLOOD	51,5°	9,6'	19,3'	28,9'	38,6'	2,9 mt	5,8 mt	8,7 mt	11,6 mt
<b>FIELD ANGLE (10% of center value):</b>									
		<b>BEAM DIAMETER in feet</b>				<b>BEAM DIAMETER in meters</b>			
SPOT	15,5°	2,7'	5,4'	8,2'	10,9'	0,8 mt	1,6 mt	2,4 mt	3,3 mt
FLOOD	64,5°	12,6'	25,2'	37,9'	50,5'	3,8 mt	7,6 mt	11,4 mt	15,1 mt

<b>PHOTOMETRIC DATA MAGIS (500 W LAMP)</b>									
Values measured with: CP 82 Lamp - 220 V, 120 mm. F Fresnel Lens									
<b>FEET</b>					<b>METERS</b>				
<b>TYPICAL DISTANCES</b>	10'	20'	30'	40'	3 mt	6 mt	9 mt	12 mt	
<b>CENTER VALUES</b>									
	<b>Candle Power</b>	<b>FOOTCANDLES</b>				<b>LUX</b>			
SPOT	42.030	420	105	47	26	4.670	1.168	519	292
FLOOD	5.850	59	15	7	4	650	163	72	41
<b>F.C. AT ANY DISTANCE =</b> Candle Power : [Distance(in ft)] <sup>2</sup>					<b>LUX AT ANY DISTANCE =</b> Candle Power : [Distance(in m.)] <sup>2</sup>				
<b>BEAM ANGLE (50% of center value):</b>									
		<b>BEAM DIAMETER in feet</b>				<b>BEAM DIAMETER in meters</b>			
SPOT	8,0°	1,4'	2,8'	4,2'	5,6'	0,4 mt	0,8 mt	1,3 mt	1,7 mt
FLOOD	52,7°	9,9'	19,8'	29,7'	39,6'	3,0 mt	5,9 mt	8,9 mt	11,9 mt
<b>FIELD ANGLE (10% of center value):</b>									
		<b>BEAM DIAMETER in feet</b>				<b>BEAM DIAMETER in meters</b>			
SPOT	16,9°	3,0'	5,9'	8,9'	11,9'	0,9 mt	1,8 mt	2,7 mt	3,6 mt
FLOOD	61,6°	11,9'	23,8'	35,8'	47,7'	3,6 mt	7,2 mt	10,7 mt	14,3 mt

<b>PHOTOMETRIC DATA MAGIS (650 W LAMP)</b>									
Values measured with: CP 89 Lamp - 220 V, 120 mm. F Fresnel Lens									
<b>FEET</b>					<b>METERS</b>				
<b>TYPICAL DISTANCES</b>	10'	20'	30'	40'	3 mt	6 mt	9 mt	12 mt	
<b>CENTER VALUES</b>									
	<b>Candle Power</b>	<b>FOOTCANDLES</b>				<b>LUX</b>			
SPOT	77.994	780	195	87	49	8.666	2.167	963	542
FLOOD	11.250	113	28	13	7	1.250	313	139	78
<b>F.C. AT ANY DISTANCE =</b> Candle Power : [Distance(in ft)] <sup>2</sup>					<b>LUX AT ANY DISTANCE =</b> Candle Power : [Distance(in m.)] <sup>2</sup>				
<b>BEAM ANGLE (50% of center value):</b>									
		<b>BEAM DIAMETER in feet</b>				<b>BEAM DIAMETER in meters</b>			
SPOT	8,0°	1,4'	2,8'	4,2'	5,6'	0,4 mt	0,8 mt	1,3 mt	1,7 mt
FLOOD	47,1°	8,7'	17,4'	26,2'	34,9'	2,6 mt	5,2 mt	7,8 mt	10,5 mt
<b>FIELD ANGLE (10% of center value):</b>									
		<b>BEAM DIAMETER in feet</b>				<b>BEAM DIAMETER in meters</b>			
SPOT	16,1°	2,8'	5,7'	8,5'	11,3'	0,8 mt	1,7 mt	2,5 mt	3,4 mt
FLOOD	59,4°	11,4'	22,8'	34,2'	45,6'	3,4 mt	6,8 mt	10,3 mt	13,7 mt

## MAGIS 300-500-650 W VERSIONS & MODEL NUMBERS

MOD.	DESCRIPTION
300.600	<b>Kit includes:</b> 3 x Magis 300/500/650 W M.O. (300.100), 3 x barndoor (306.100), 3 x colour frame (307.100), 3 x set of scrims (309.100), 3 x stand (A620B), fly case (300.601), without lamps.
300.150	<b>MAGIS 300/500/650 W, M.O.</b> Stainless Steel Fresnel Spotlight including: 120 mm. lens, 3 mt. power cable, 10 A inline toggle switch, GY9,5 lamp holder, wire guard (305.300), manual operated stirrup with 16 mm. Socket (300.100.40), four leaf rotating barndoor (306.100), colour frame (307.100).
301.150	<b>MAGIS 300/500/650 W, P.O.</b> Stainless Steel Fresnel Spotlight including: 120 mm. lens, 3 mt. power cable, 10 A inline toggle switch, GY9,5 lamp holder, wire guard (305.300), pole operated stirrup with 28mm. spigot (301.110.40), four leaf rotating barndoor (306.100), colour frame (307.100)

## MAGIS 300-500-650 W ACCESSORIES TYPES & MODEL NUMBERS

MOD.	OPTIONAL & ACCESSORIES
300.100.40	Flat aluminium (M.O.) stirrup with 16 mm. Socket (5/8")
300.200.40	Flat aluminum (M.O.) stirrup with 8,5 mm. Hole
301.110.40	Pole operated stirrup with 28,57 mm. spigot (B.S. 1 1/8"), with top end for attachment to "C" clamp.
301.300.40	Pole operated stirrup with 28,00 mm. spigot (D.I.N.)
300.601	Fly case in black and yellow, antiscratch finished, laminated wood and aluminium profiles. Heavy duty cam-lock and hinges for: Magis kit 300.600-DLK 380-DLK3100.
305.300	Stainless Steel wire guard
306.100	Four leaf rotating barndoor
306.200	Eight way rotating barndoor
307.100	Colour Frame
308.100	Cone with two discs (with front aperture diameter: 70 mm. 50 mm. 30 mm.)
309.100	Set of scrims - Stainless steel
309.101	Full single scrim - Stainless steel
309.102	Full double scrim - Stainless steel
309.103	1/2 single scrim - Stainless steel
309.104	1/2 double scrim - Stainless steel
DGP-A620 B	Alu Black Kit stand, 16 mm spigot (B.S. 5/8" spigot)

