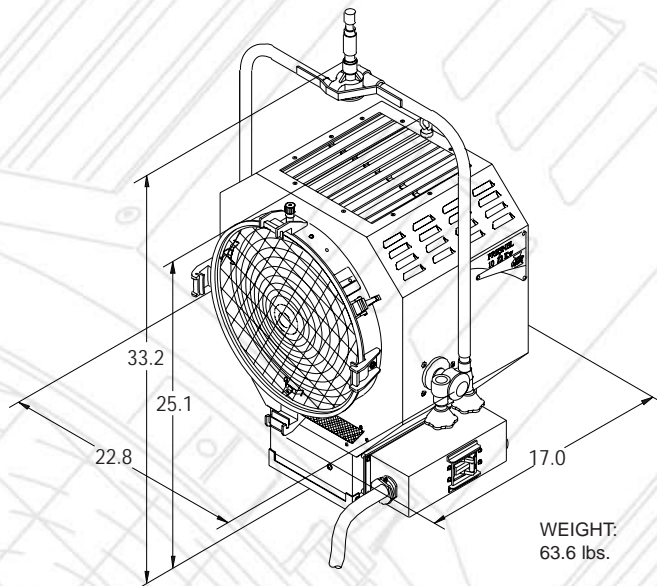


# LEONARDO PICCOLO 10/12kW



Mod. 481



WEIGHT:  
63.6 lbs.

PHOTOMETRIC DATA LEONARDO Piccolo 10/12kW						
Values measured with: CP B3 (10kW) and FUJI 12kW lamps, 230V, 350 mm. Dia. Fresnel Lens						
FEET						
TYPICAL DISTANCES		20'	40'	60'	80'	
LIGHT CENTER VALUES		Candle Power		FOOTCANDLES		
SPOT	10kW	650,700	1,627	407	181	102
	12kW	707,700	1,769	442	197	111
FLOOD	10kW	291,200	728	182	81	46
	12kW	350,700	877	219	97	55
F.C. at any distance = CANDLE POWER : [Distance (in ft)] <sup>2</sup>						
BEAM ANGLE (50% OF CENTER VALUE)			BEAM DIAMETER in feet			
SPOT	17°	6'	12'	17.9'	23.9'	
FLOOD	39°	14.2'	28.3'	42.5'	56.7'	

Mod. 397.100  
(+Mod. 397.110)  
23.6"x19.8"  
3.5 lbs.



Mod. 357.100  
Dia. 15.3"  
1.1 lbs.



Mod. 356.210  
Dia. 15.7"  
4.2 lbs.



Mod. 359.100  
Dia. 15.5"  
1.1 lbs.



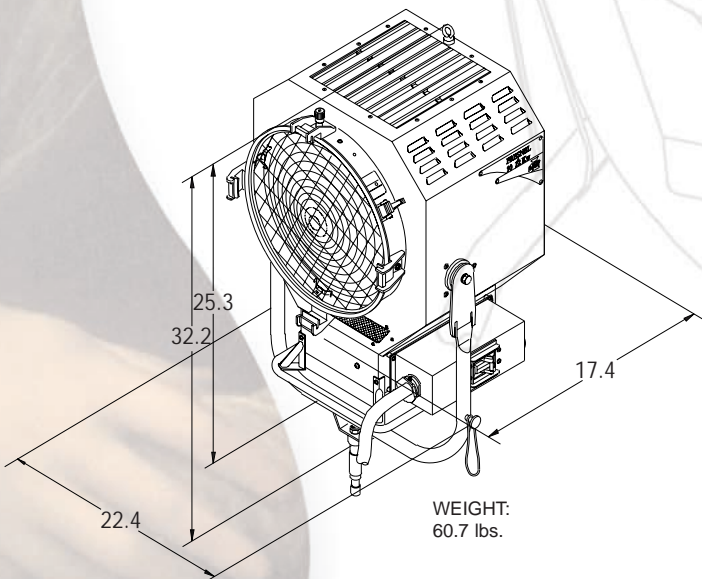
Mod. 356.110  
Dia. 15.7"  
3.8 lbs.



Mod. 358.100  
Dia. 15.7"  
7.1 lbs.



Mod. 359.250  
0.7 lbs.



WEIGHT:  
60.7 lbs.



Mod. 480