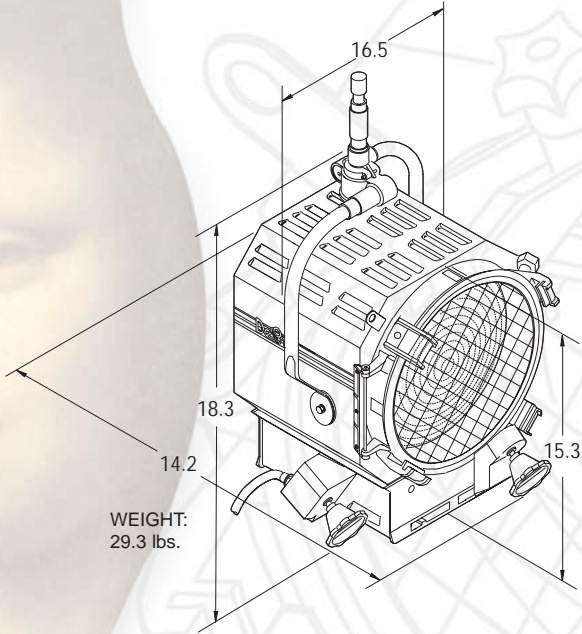


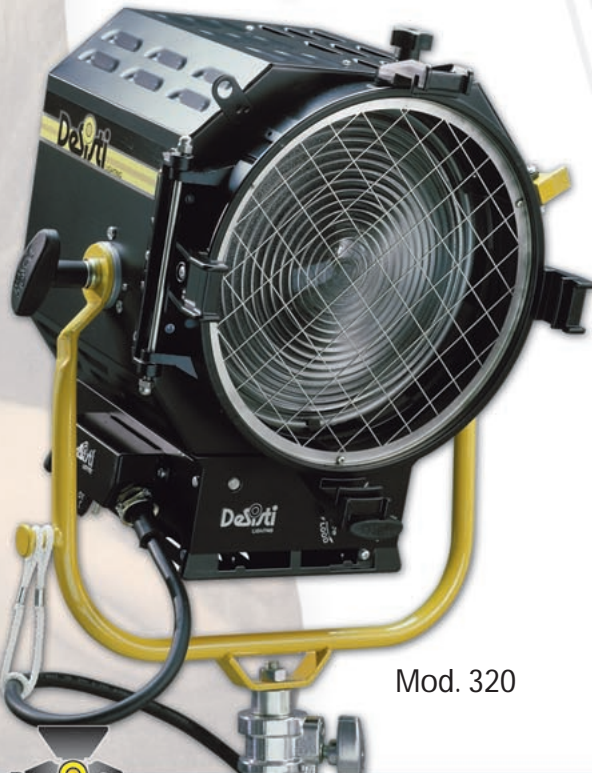
LEONARDO 2kW



Mod. 321



PHOTOMETRIC DATA LEONARDO 2000 W						
Values measured with CP 73 Lamp - 220 V, 250 mm. Dia. Fresnel Lens						
FEET						
	TYPICAL DISTANCES		10'	20'	30'	40'
LIGHT CENTER VALUES	Candle Power		FOOTCANDLES			
SPOT	375,000	3,750	938	417	234	
FLOOD	36,600	366	92	41	23	
F.C. at any distance = CANDLE POWER : [Distance (in ft)] ²						
BEAM ANGLE (50% OF CENTER VALUE)			BEAM DIAMETER in feet			
SPOT	8.8°	1.5'	3.1'	4.6'	6.2'	
FLOOD	54.4°	10.3'	20.6'	30.8'	41.1'	



Mod. 320

