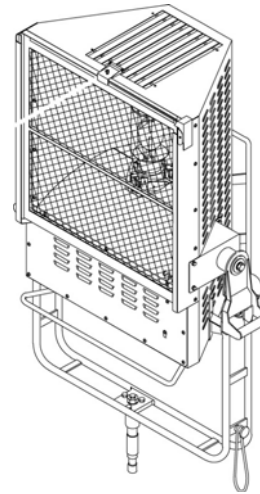




Goya® 6000/12000w HMI Broadlight

2750 Series



SPECIFICATIONS

Daylight Discharge HMI Broadlight

PHYSICAL

- Brushed stainless steel anti-magnetic construction for noise reduction
- Double wall & internal baffle ventilation enables lighting base down to 60° from vertical position
- Finished with silver gray, high temperature, anti-scratch powder coat paint
- Locking rear knob protected by a safety cover for easy re-lamping
- Equipped with heavy duty rear & bottom mounted tubular skids
- Supplied with a UV safety glass & stainless steel wireguard
- Spring loaded integral barndoor holder with safety catch
- Reinforced steel tube yoke with 1" male spigot attached for C-clamp and side mounted cable holding loop
- Clutch activated T-handle for secure, single hand operation
- UL Listed

ELECTRICAL

- 115-240V, 50/60Hz
- Supplied with 25' detachable head to ballast cable
- Micro safety switch on both lamp lock and safety glass
- Equipped with silent igniters to operate from electronic or magnetic ballasts
- Weatherproof on/off push buttons
- IP23 rain tested

LAMP

- 12000w Maximum
- Capable of interchanging either a 6000 or 12000MSR lamp
- High voltage insulated G38 bi-pin socket for single ended HMI lamps (see table for suitable lamps)
- Capable of hot re-strike
- Collar clamping holds lamp firmly without stressing the electrical contacts

OPTICAL

- Specially designed reflector with optics that produce a 90° beam spread of flat even light across the entire field

ORDERING INFORMATION

Goya 6000/12000w

Model #	Description	Wt.
2750	HMI broadlight with 25' detachable head to ballast cable and heavy duty tubular steel yoke with 1" spigot	17.7
2750.600/S	System with 25' detachable head to ballast cable, heavy duty tubular steel yoke with 1" spigot, eight leaf barndoor and DEB 6000/12000w dual power flicker free electronic ballast	158.1
2750.610/S/L	System with 25' detachable head to ballast cable, heavy duty tubular steel yoke with 1" spigot, eight leaf barndoor, DEB 6000/12000w dual power flicker free electronic ballast and 12000MSR lamp	159.1
2750.690/K/S/L	Kit with 25' detachable head to ballast cable, heavy duty tubular steel yoke with 1" spigot, eight leaf barndoor, 12000MSR lamp and fly case for entire kit—no ballast	n/a

Goya 6000/12000w Accessories

Model #	Description	Wt.
2555.100	DEB 6000/12000w dual flicker free electronic ballast 185/265v, 50/60Hz, low noise and 35% dimming capability, with 6' detachable main cable (MIL connector)	99.3
2756.200	Eight leaf barndoor	15.5
2759.100	Four piece stainless steel scrim set	5.5
2750/2	Diffuser glass	n/a
2750.601	Fly case for 2750.690/K/S/L kit	n/a
2555.601	Fly case for DEB 6000/12000w ballast	n/a
2451.100	Cable head to ballast 12000w, 25'	25.6
2451.200	Cable head to ballast 12000w, 50'	51.7
DGP-B250X	Super wind up stainless steel stand w/ braked hard wheels	n/a

Goya® 6000/12000w HMI Softlight

2750 Series

PHOTOMETRICS

TYPICAL DISTANCES		25'	50'	75'	100'
LIGHT CENTER VALUES	Candle Power	FOOTCANDLES			
12000w	301,300	481	121	54	30
6000w	158,000	252	63	28	16

Values measured with MSR 6000HR & 12000HR lamps—230V

F.C. at any distance = CANDLE POWER: [Distance (in ft)]²

BEAM ANGLE (50% of center value)	BEAM SIZE (W x H in feet)			
WIDTH 87°	47.5'	94.9'	142.3'	189.8'
HEIGHT 87°	47.5'	94.9'	142.3'	189.8'

For illumination with any lamp, multiply the candlepower of a beam spread by the multiplying factor (mf) shown for that lamp.

To determine illumination in footcandles or lux at any throw distance, divide candlepower by distance squared.

For field diameter at any distance, multiply distance by .12

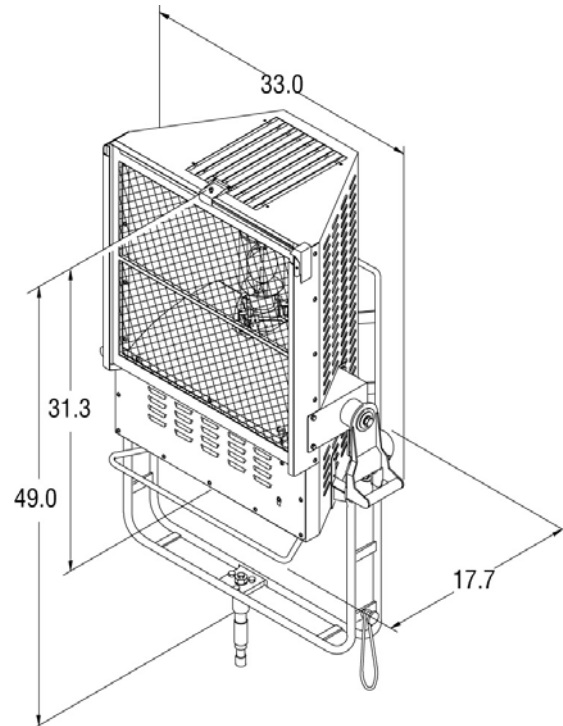
For beam diameter at any distance, multiply distance by .11

Metric Conversions: For Meters multiply feet by .3048
For Lux multiply footcandles by 10.76

LAMPING INFORMATION

Lamp Code	Watts	Volts	Color Temp	Avg. Rated Life
6000MSR	6000	230	5600K	750
12000MSR	4000	230	5600K	750

DIMENSIONS (Inches)



DE SISTI LIGHTING

dba Desmar Corporation
1109 Grand Avenue
North Bergen, NJ 07047
201-319-1100
201-319-1104 Fax
www.desisti.it