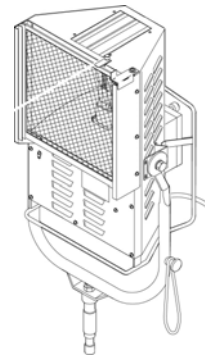




Goya® 1200w HMI Broadlight

2730 Series



SPECIFICATIONS

Daylight Discharge HMI Broadlight

PHYSICAL Brushed stainless steel anti-magnetic construction for noise reduction
 Double wall & internal baffle ventilation enables lighting base down to 60° from vertical position
 Finished with silver gray, high temperature, anti-scratch powder coat paint
 Locking rear knob protected by a safety cover for easy re-lamping
 Equipped with heavy duty rear & bottom mounted tubular skids
 Supplied with a UV safety glass & stainless steel wireguard
 Spring loaded integral barndoor holder with safety catch
 Reinforced steel tube yoke with 1" male spigot attached for C-clamp and side mounted cable holding loop
 Clutch activated T-handle for secure, single hand operation
 UL Listed

ELECTRICAL 115-240V, 50/60Hz
 Six foot (6') attached head to ballast cable
 Equipped with silent igniters to operate from electronic or magnetic ballasts
 Weatherproof on/off push buttons
 IP23 rain tested

LAMP 1200w Maximum
 High voltage insulated G22 9.5 bi-pin socket for single ended HMI lamps (see table for suitable lamps)
 Capable of hot re-strike
 Collar clamping holds lamp firmly without stressing the electrical contacts

OPTICAL Specially designed reflector with optics that produce a 90° beam spread of flat even light across the entire field

ORDERING INFORMATION

Goya 1200w

Model #	Description	Wt.
2730	HMI broadlight with 6' attached head to ballast cable and heavy duty tubular steel yoke with 1" spigot	19.4
2730.600/S	System with 6' attached head to ballast cable, heavy duty tubular steel yoke with 1" spigot, eight leaf barndoor, DEB 575/1200w dual power flicker free electronic ballast and 25' head to ballast extension cable	59.0
2730.610/S/L	System with 6' attached head to ballast cable, heavy duty tubular steel yoke with 1" spigot, eight leaf barndoor, DEB 575/1200w dual power flicker free electronic ballast, 25' head to ballast extension cable and 1200MSR lamp	59.4
2730.680/K/S/L	Kit with 6' attached head to ballast cable, heavy duty tubular steel yoke with 1" spigot, eight leaf barndoor, DEB 575/1200w dual power flicker free electronic ballast, 25' head to ballast extension cable, 1200MSR lamp and fly case for entire kit	n/a

Goya 1200w Accessories

Model #	Description	Wt.
2515.205	DEB 575/1200w dual flicker free electronic ballast 185/265v, 50/60Hz, low noise and 35% dimming capability, with 6' detachable main cable (MIL connector)	28.7
2736.200	Eight leaf barndoor	6.0
2737.100	Outrigger colorframe	3.0
2737.110	Outrigger colorframe mounting kit	0.3
2734.100	Black reflector kit	n/a
2734.200	White reflector kit	n/a
2739.100	Four piece stainless steel scrim set	0.9
2730/2	Diffuser glass	n/a
2730.601	Fly case for 2730.680/K/S/L kit	n/a
2515.601	Fly case for DEB 575/1200w ballast	n/a
2011.100	Cable head to ballast 1200w, 25'	4.9
2011.200	Cable head to ballast 1200w, 50'	9.5
DGP-A110	Combo stand w/ lazy leg, 1" socket & spigot	26.0
DGP-A9000	Caster wheel set with 4" diameter, braked	8.0

Goya® 1200w HMI Softlight

2730 Series

PHOTOMETRICS

TYPICAL DISTANCES		20'	30'	40'	50'
	Candle Power	FOOTCANDLES			
LIGHT CENTER VALUES	30,750	77	34	19	12
<i>Values measured with MSR 1200HR lamp—230V</i>					
F.C. at any distance = CANDLE POWER: [Distance (in ft)]²					
BEAM ANGLE (50% of center value)		BEAM SIZE (W x H in feet)			
WIDTH	80°	33.6'	50.4'	67.2'	84'
HEIGHT	90°	40'	60'	80.1'	100.1'

For illumination with any lamp, multiply the candlepower of a beam spread by the multiplying factor (mf) shown for that lamp.

To determine illumination in footcandles or lux at any throw distance, divide candlepower by distance squared.

For field diameter at any distance, multiply distance by .12

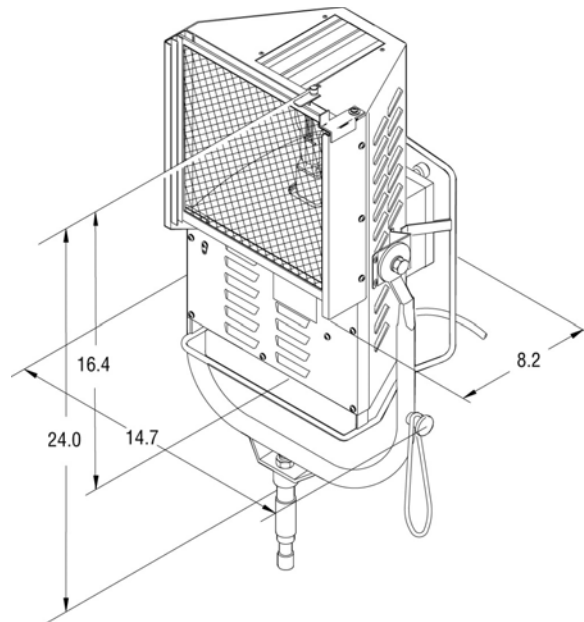
For beam diameter at any distance, multiply distance by .11

Metric Conversions: For Meters multiply feet by .3048
For Lux multiply footcandles by 10.76

LAMPING INFORMATION

Lamp Code	Watts	Volts	Color Temp	Avg. Rated Life
1200MSR	1200	230	5600K	750

DIMENSIONS (Inches)



DE SISTI LIGHTING

dba Desmar Corporation
1109 Grand Avenue
North Bergen, NJ 07047
201-319-1100
201-319-1104 Fax
www.desisti.it