



De Sisti Lighting S.p.a.

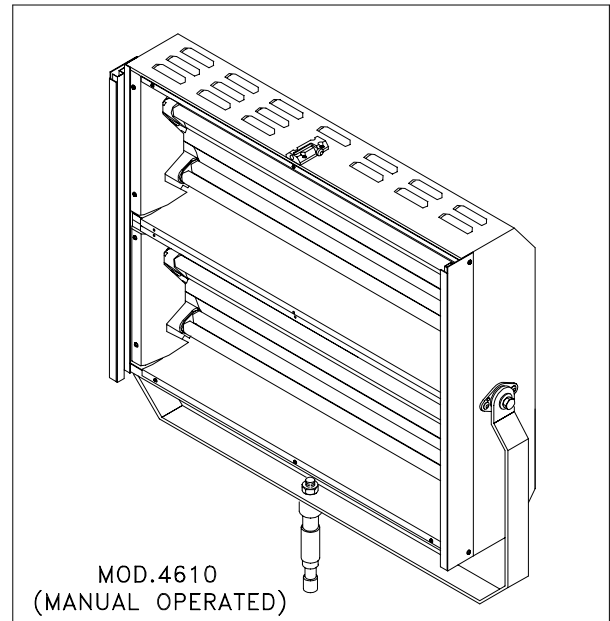
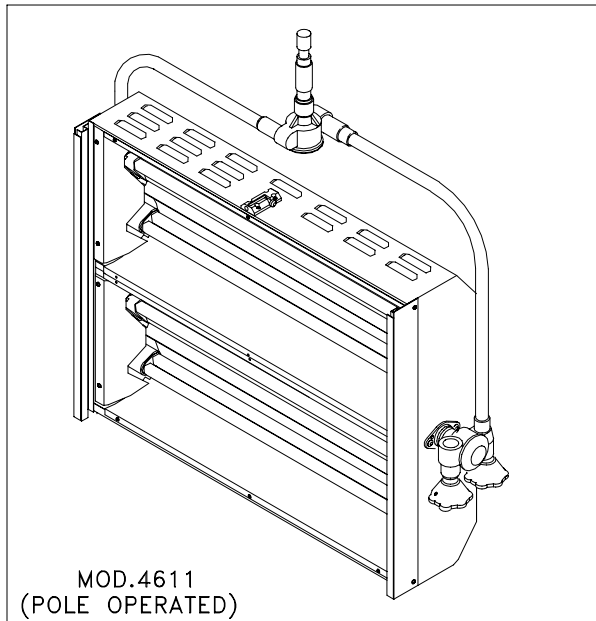
Via Cancelliera # 10a, 00040 Albano Laziale (Rome- Italy).

Tel. **+39/06/934991** Fax. **+39/06/9343489**

U.R.L. Address: **www.desisti.it** E-mail address: **desisti@desisti.it**

DELUX FLUORESCENT SOFTLIGHT

INSTRUCTION MANUAL



MANUFACTURER

De Sisti Lighting S.p.a.

Via Cancelliera # 10a, 00040 Albano Laziale (Rome- Italy).

Tel. +39/06/934991 Fax. +39/06/9343489

U.R.L.: **www.desisti.it** E-mail: desisti@desisti.it

REPRESENTATIVE

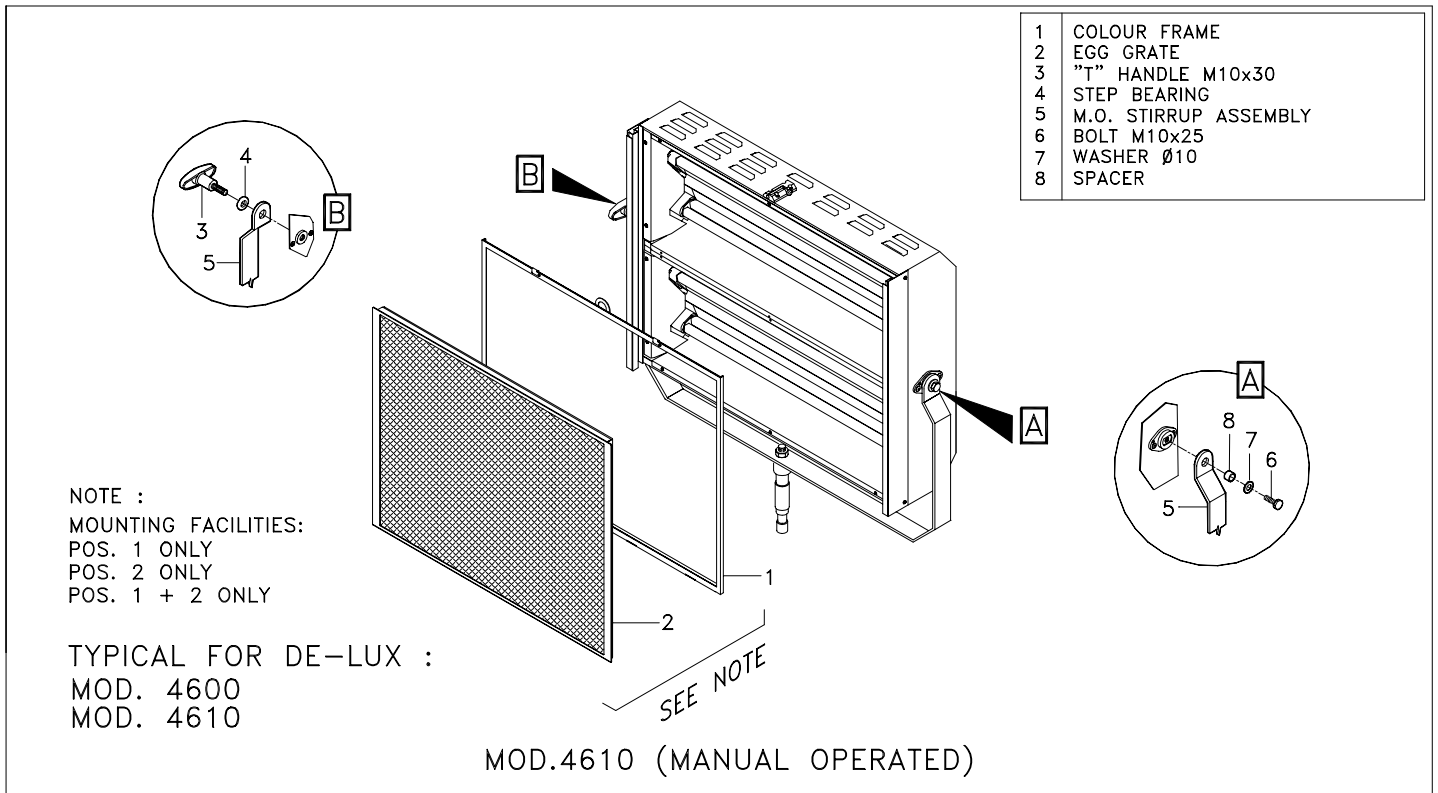
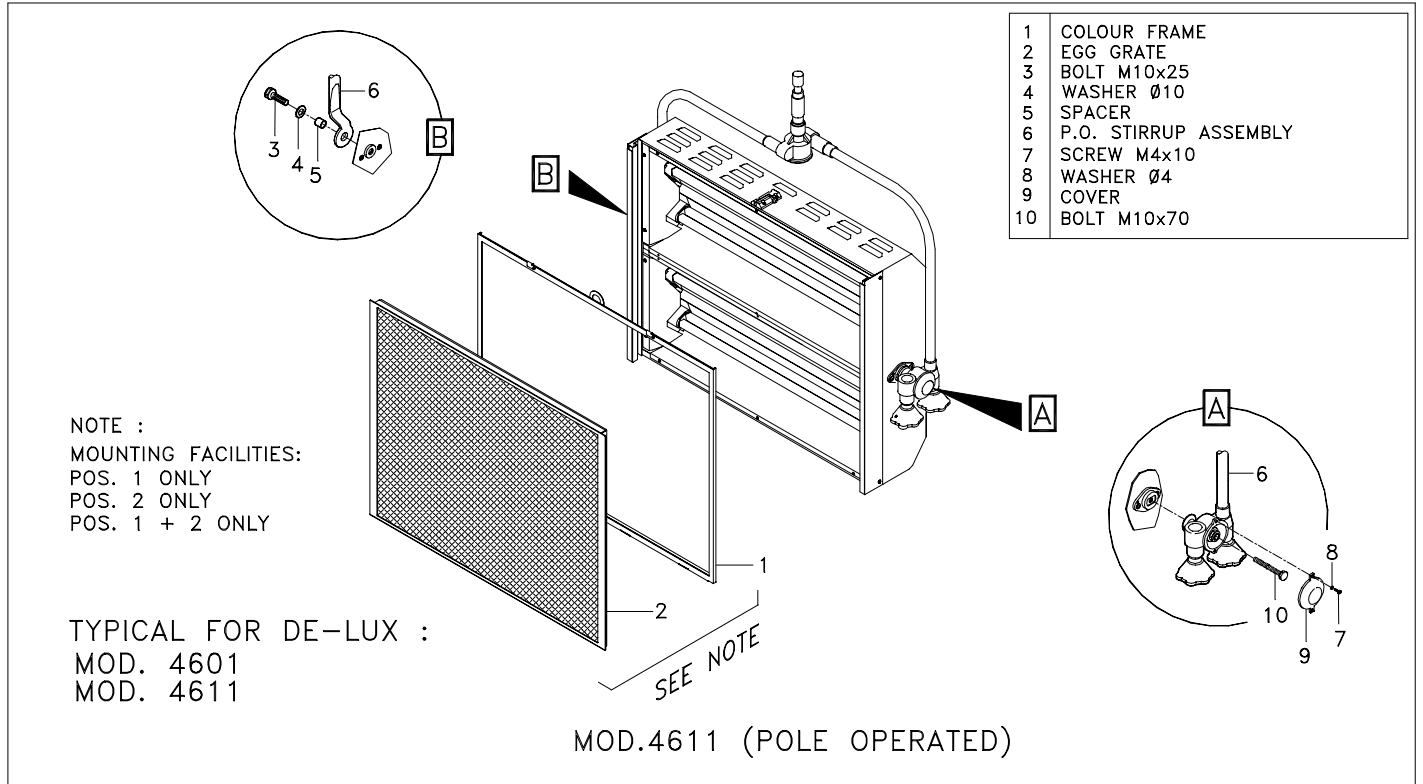
1. INTRODUCTION

Congratulations on your purchase of a DELUX lighting fixture from De Sisti Lighting .Our commitment to Total Customer Satisfaction and our consolidated experience and leadership in design innovation and manufacturing of lighting products for the professional Entertainment Industry means you can depend upon the quality of this product.

The DELUX is a range of compact highly efficient Video Fluorescent Soft-lights using fluorescent single ended lamps , having 2G11 base , 55 W power.

NOTE: The DELUX range includes various versions which differs for the followings:
number of lamps (2 or 4),
type of light control (Phase control , DMX , Analog)
and stirrup (Manual or Pole operated).

2. YOKE AND ACCESSORIES ASSEMBLY




3. SAFETY INSTRUCTIONS

- ↻ **Professional use:** This luminaire has been designed for professional use and must be operated by qualified personnel only. **Not for residential use.**
- ↻ **Grounding: WARNING:** THIS LUMINAIRE MUST BE GROUNDED
- ↻ **Electrical connections: IMPORTANT** The cores in this mains lead are colored in accordance with the following code:

	Europe	America
<i>Ground</i>	Green & yellow	Green or green & yellow
<i>Neutral</i>	Blue	White
<i>Live</i>	Brown	Black

The luminaire is complete with detachable supply cord having 10 A plug (3 pin typical for domestic use). In case you have to replace the plug and the colors of the cores do not correspond to the colors of the connection points on your plug, please proceed as follows:

- the green and yellow core must be connected to the connection point marked with the letter E or with the symbol  or colored in green - yellow;
- the blue core must be connected to the connection point marked with the letter N , Neutral ;
- the brown core must be connected to the connection point marked with the letter L , Line .

4. WORKING CONDITIONS

↻ Working Position	Lighting fixture: Max. Tilting $\pm 90^\circ$ from horizontal			
↻ Ambient Temperature, t_a	+45° C			
↻ Minimum distances from inflammable surfaces	Top	Back	Sides	Front
	0,2 m.	0,1 m.	0,1 m.	0,5 m.

The luminaire should never be OPERATED close to inflammable materials. The ones indicated in the above table are the minimum distances recommended. Other requirements for safe use are:

- A.** Do not cover the apertures of the luminaire housing. They are essential for correct ventilation. Do not use on the floor. It reduces the ventilation.
- B.** Use only original accessories and spares from De Sisti Lighting.
- C.** Before hanging the luminaire ensure that the suspension point (or the stand) is properly rated to accept the luminaire weight.
- D.** In case of pole operated use, fit only a P.O. stirrup from De Sisti Lighting.
- E.** A suitable secondary safety suspension device (safety cable, chain or equivalent) must be fitted between the suspension point and the eyelet at the front of the body .
- F.** Before access to electrical section, by acting on quick release captive screws , disconnect fixture from electrical mains .

5. INSTALLATION INSTRUCTIONS

Before connecting the luminaire to the electrical mains ensure that:

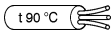
- A.** Earth line is present on the power socket.
- B.** The mains voltage is within the rated range of the luminaire (see technical data on the rating label)
- C.** The lamp fitted is among the usable lamps (see point 6 or check with your De Sisti dealer)

6. LAMP INSTALLATION AND REPLACEMENT

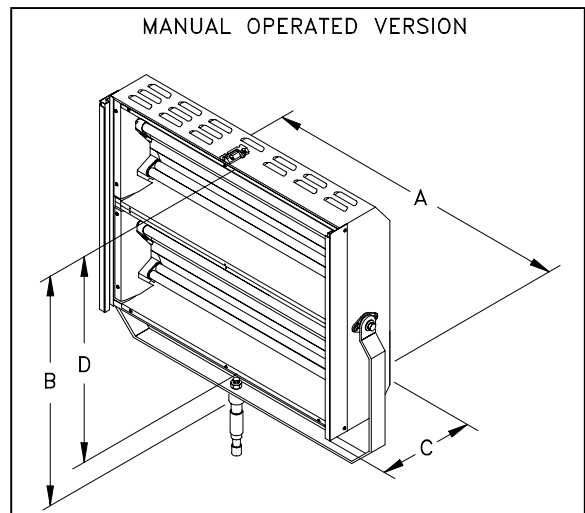
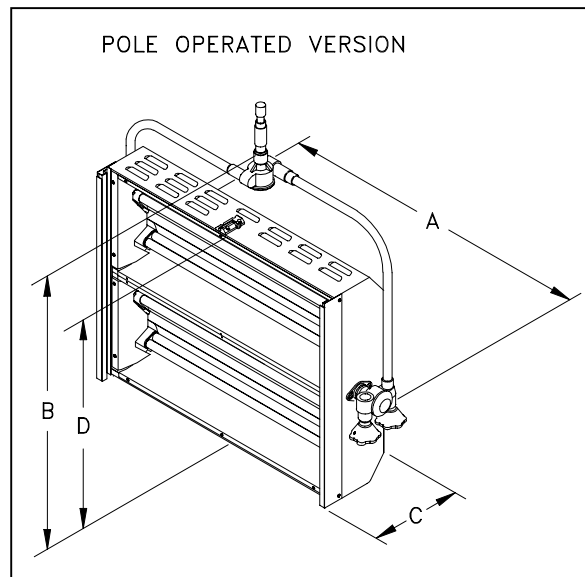
The following procedure should be adopted:

- A.** Ensure the luminaire is electrically isolated from the power supply.
- B.** Check that the new lamp is of the correct type (see item 4 .C).
- C.** Replace the lamp taking good note any instruction of the lamp manufacturer .
- D.** Ensure that the lens door is securely closed.

7. CHARACTERISTICS AND PERFORMANCE DATA

DESCRIPTION	VALUE		
➤ Amperage of Fuses (all 5x20 slow blow)	Europe – 230 V	America - 120 V	
	Amp. (n° lamp- Fuse)	Amp. (n° lamp- Fuse)	
	0,5 A (2 lamps-1,6 A)	1,0 A (2 lamps-3,15A)	
	1,0 A (4 lamps-3,15A)	1,5 A (4 lamps-5,0 A)	
➤ Power supply	Europe	America	
	230 V / 50 Hz	120 V / 60 Hz	
➤ Switch on the fixture	Toggle 10A\230V - 6 A (½ Hp) \ 120V		
➤ Lamp Holder	2 G 11		
➤ Power Cable (detachable)	 3 x 0,75 mm ² H05VV-F 90°C		
➤ Protection Class	Class 1 – ground connection required		
➤ Protection Type	IP 22		
➤ Max Housing surface temperature	70 °C		
➤ Weight of Fixture in kg	Version	M.O.	P.O.
	2x55 W	5,5 kg.	6,5 kg.
	4x55 W	8,5 kg.	9,2 kg.
➤ Weight of HONEYCOMB in kg	0,57 kg (2 lamps) 0,85 kg (4 lamps)		
➤ Weight of color frame in kg	0,30 kg (2 lamps) 0,40 kg (4 lamps)		
USABLE LAMPS	Manufacturers – Model		
base-watt-type			
2G11 - 55 w - SE	OSRAM – DULUX L		
2G11 - 55 w - SE	OSRAM – STUDIO LINE		

Other Brands may be used as long as they comply with the same technical specifications of the above models.



Overall dimensions (expressed in millimeters – mm.)

DE LUX Types	M.O.				P.O.			
55 w – 2 lamps	A = 700	B = 323	C = 160	D = 245	A = 720	B = 405	C = 169	D = 245
55 w – 4 lamps	A = 700	B = 565	C = 160	D = 468	A = 720	B = 610	C = 169	D = 468

8. PERIODIC INSPECTION

- The condition of the internal wiring insulation and that of the input cable shall be inspected and tested every 500 working hours and at least once a year. This frequency may need to be increased if rough or unknown (eg. rental) treatment is incurred. Replace only with original De Sisti Lighting spare parts. Non-original cables may not withstand the thermal and mechanical conditions of use
- The lamp condition must be checked every 1000 working hours. For lamp replacement follow the procedure of point 6 and the instruction of the lamp manufacturer .

9. SAFETY STANDARDS

Europe: The product conforms the Applicable European Directives & Standards	America: the product conforms NEC & UL stds.
➤ Low Voltage Directive: 73/23/EEC (as amended by 93/68/EEC)	UL Standard : 1573 Approved by UL: file E116219
➤ EMC Directive: 89/336/EEC (as amended by 92/31/EEC & by 93/68/EEC)	
➤ European Standards: EN 60598-2-17, EN 60598-1, EN 55015, EN 61547	