

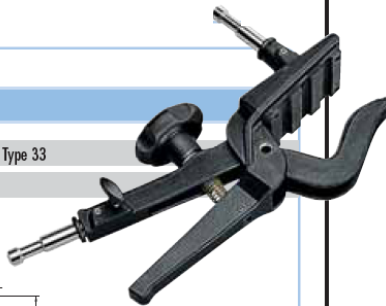
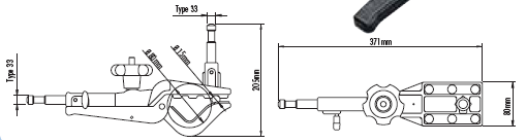
Avenger Clamps & Arms

C500 AVENGER

PELICAN GAFFER GRIP

3.1lbs Type 33
 Type 2 GC

Works on diameters from 0.6" to 3.1" (15mm to 80mm).

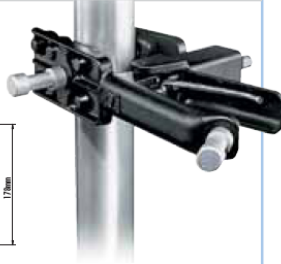
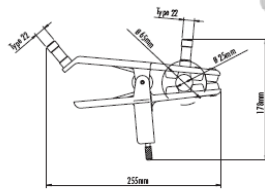


043R

ADJUSTABLE SKY HOOK

1.8lbs Type 22
 Type 22

Gaffer grip with adjustable jaws. Grip from: 1" to 2.5" (25mm to 65mm).

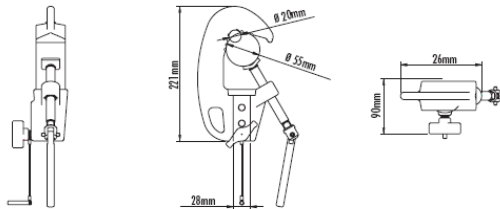


C100 AVENGER

JUNIOR PIPE CLAMP WITH 1 1/8" SOCKET

2.5lbs 1 1/8in
 550lbs GC

Works on diameters from 0.78" to 2.1" (20mm to 55mm).



244N

VARIABLE FRICTION ARM

2.4lbs Type 17
 Type 17 2.2lbs

Features as 143N, but a large locking knob takes the place of the cam-lever. Variable friction and locking of arm obtained by adjusting knob.

2929

Not illustrated.

VARIABLE FRICTION ARM WITH CAMERA BRACKET

Same as 244N with Camera Bracket 143BKT only.



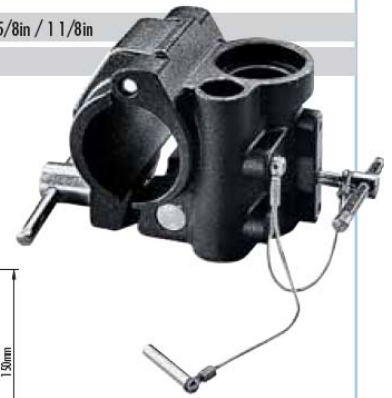
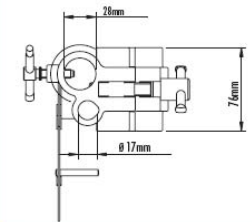
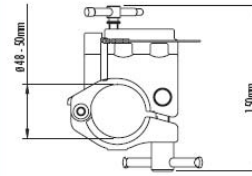
C350 AVENGER

BARREL CLAMP

2.2lbs 5/8in / 1 1/8in
 220/660lbs* GC

Works on diameters from 1.88" to 1.96" (48mm to 50mm).

* 220lbs on 5/8" attachment. 660lbs on 1 1/8" attachment.



C1575B AVENGER

SUPER CLAMP

11lbs 33lbs

Ideal clamp for Cine, Broadcast or Lighting & Entertainment application. Clamping system achieved via a metal knob ensuring extra solidity.



E600 AVENGER

SNAP-IN PIN FOR SUPER CLAMP

0.10lbs

Specifically designed to connect Grid Head to Super Clamp. Aluminum made.



143N

MAGIC ARM

2.4lbs Type 17
 Type 17 6.6lbs

Articulated arm with center lever to lock all 3 movements. Length: 20.8.

2930

Not illustrated.

MAGIC ARM WITH CAMERA BRACKET

Same as 143N with Camera Bracket 143BKT.

