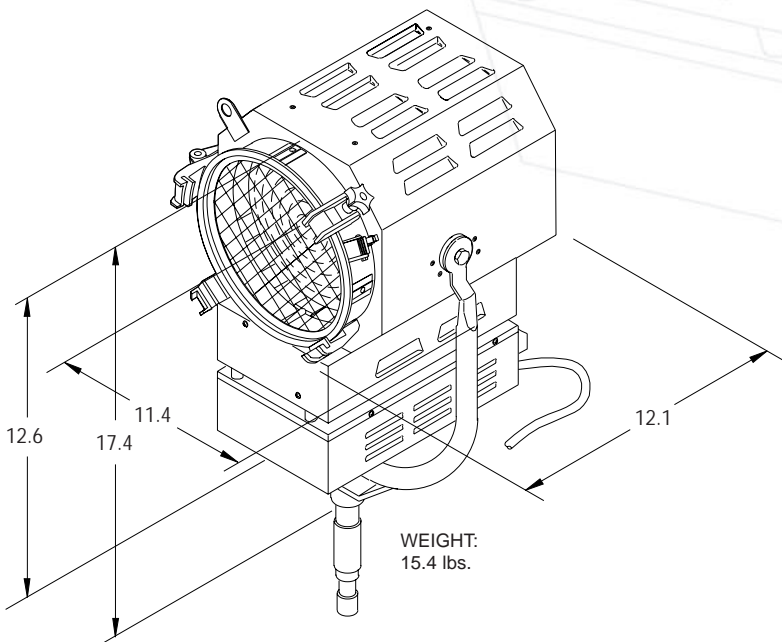




Mod. 3410



PHOTOMETRIC DATA CD 15F 150 W					
Values measured with Philips CDM-T 150/830 UV Stop Lamp, 150 mm. Dia. Fresnel Lens					
FEET					
TYPICAL DISTANCES		10'	15'	20'	25'
LIGHT CENTER VALUES		Candle Power		FOOTCANDLES	
SPOT		27,450	275	122	69
FLOOD		4,725	47	21	12
F.C. at any distance = CANDLE POWER : [Distance (in ft)] ²					
BEAM ANGLE (50% OF CENTER VALUE)			BEAM DIAMETER in feet		
SPOT	10°	1.7'	2.6'	3.5'	4.4'
FLOOD	60°	11.5'	17.3'	23.1'	28.9'



Mod. 3410