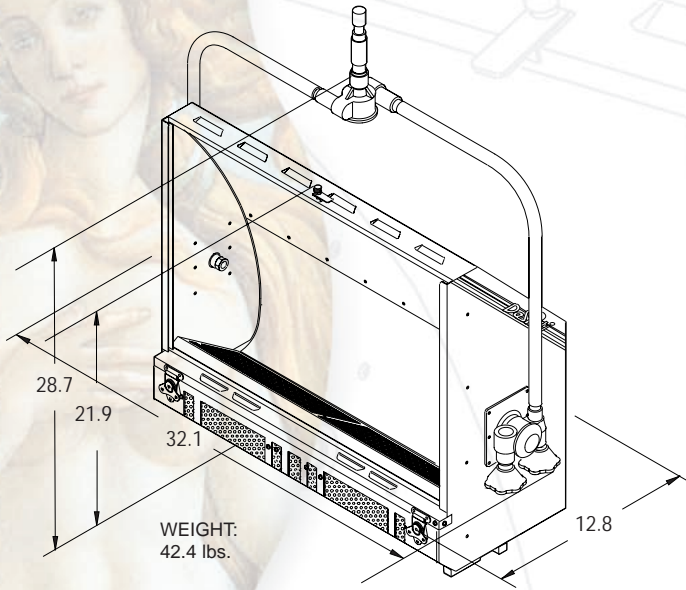
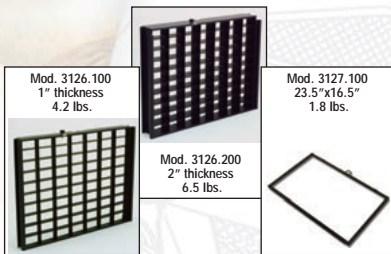


# BOTTICELLI 4kW



Mod. 3123



PHOTOMETRIC DATA BOTTICELLI 4000W				
Values measured with: P2/20 Lamps, 230V, Silver reflector				
FEET				
TYPICAL DISTANCES	10'	20'	30'	40'
Candle Power	FOOTCANDLES			
LIGHT CENTER VALUES	17,485	175	44	19
F.C. at any distance = CANDLE POWER : [Distance (in ft)] <sup>2</sup>				
BEAM ANGLE (50% OF CENTER VALUE)		BEAM SIZE (W x H in feet)		
WIDTH	72°	14.5'	29.1'	43.6'
HEIGHT	77°	15.9'	31.8'	47.7'



Mod. 3121

