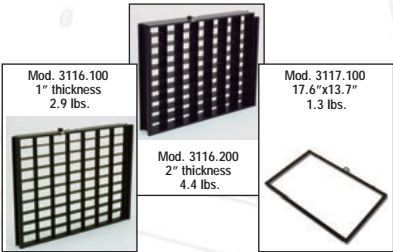
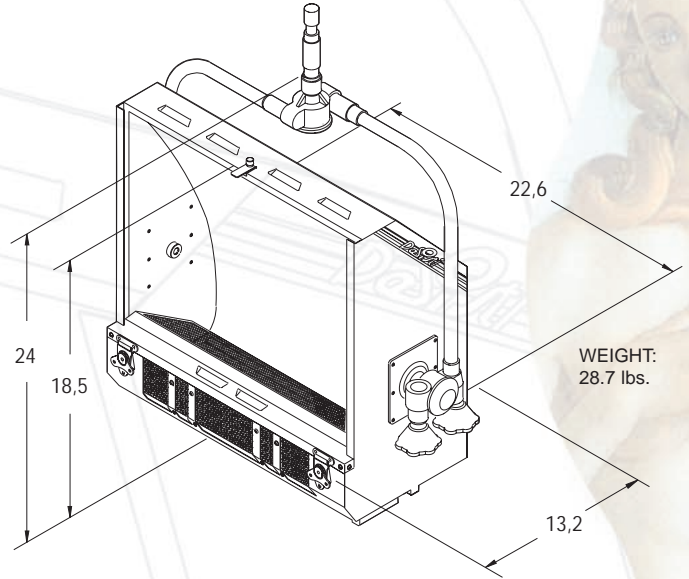


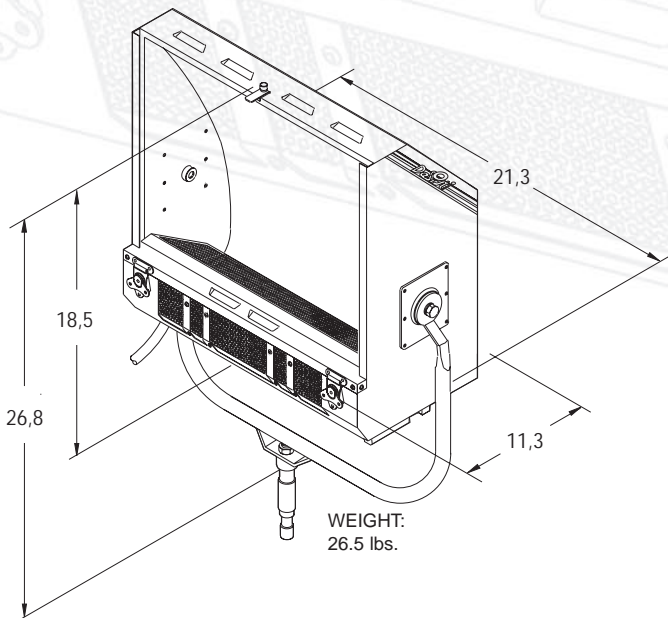
# BOTTICELLI 2kW



Mod. 3113



| PHOTOMETRIC DATA BOTTICELLI 2000W                                     |       |                           |       |       |
|---|-------|---------------------------|-------|-------|
| Values measured with: P2/20 Lamps, 230V, Silver reflector             |       |                           |       |       |
| FEET  |       |                           |       |       |
| TYPICAL DISTANCES   | 10'   | 20'                       | 30'   | 40'   |
| Candle Power  |       | FOOTCANDLES               |       |       |
| LIGHT CENTER VALUES   | 8,712 | 87                        | 22    | 10    |
| F.C. at any distance = CANDLE POWER : [Distance (in ft)] <sup>2</sup> |       |                           |       |       |
| BEAM ANGLE (50% OF CENTER VALUE)                                      |       | BEAM SIZE (W x H in feet) |       |       |
| WIDTH   | 68°   | 13.5'                     | 27'   | 40.5' |
| HEIGHT  | 73°   | 14.8'                     | 29.6' | 44.4' |



Mod. 3111

